



6" Down light CCT and Wattage w/ 15W Emergency Battery Back Up

Catalog #:	
Project :	
Type :	Date:
Notes:	

LED Down Light

DESCRIPTION

This down light is a compact design with Pre-wired push button and emergency battery back up for 90 mins plus. The 2835 SMD chip and high transmittance PC cover provide a uniform lighting output. It has a convenient mounting design, which makes a quick installation and easier maintenance.

APPLICATIONS

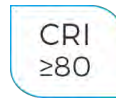
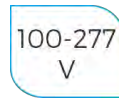
Ideal for lighting malls, hospitals, hotels, and retail spaces. Replaces CFL & HID or Incandescent downlights for higher energy savings & aesthetics.



QUICK SHIP:

E2-DL254-6-16W-OAC3-E

Specification Features



Controls / Dimming

High quality isolated driver; 0-10V dimming; Adjustable Power and Color Switch; Flicker free. Frosted Lens; IC, and rated for wet locations. Beam angle is 85°.

Warranty

5 Years Limited Warranty. See warranty documentation for more information.

Certification

It complies with ETL and Energy Star certification.

Housing / Mounting

Aluminum housing offers a great thermal management. Besides, it has a convenient mounting design, which makes a quick installation and easier maintenance. This fitting can be used for retrofit or new construction installation.

Ordering Information

Example: E2-DL254-6-16W-OAC3-E

	DL254	4	12W	OAC3
Brand	Series	Diameter	Nominal Wattage	Color Temp
E2 Brand	DL254 Series	4 4" (6W/8W/12W)	12W 6W/8W/12W	OAC3 3000K / 4000K / 5000K
		6 6" (8W/12W/16W)	16W 8W/12W/16W	
		8 8" (12W/16W/22W)	22W 12W/16W/22W	
		10 10" (22W/28W/33W)	33W 22W/28W/33W	

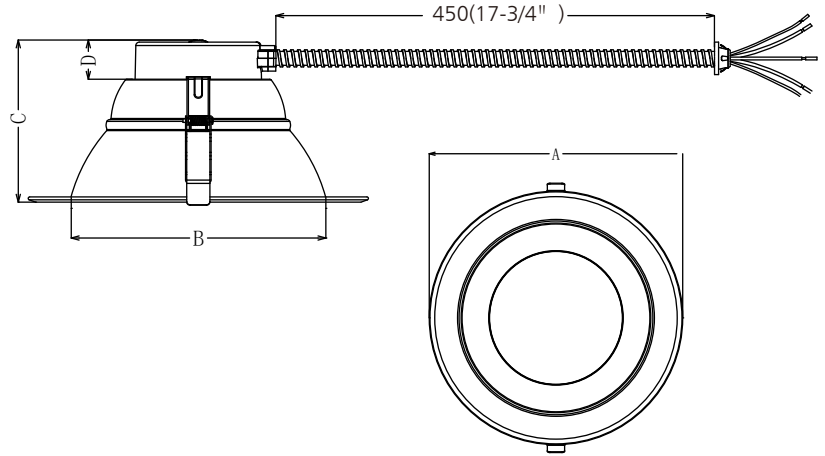


LED Down Light

Lighting Parameters

Input Voltage	AC100-305V
CCT	3000K / 4000K / 5000K
CRI	Ra>80
Luminous efficacy	110lm/w
PF	0.90
Driver Efficiency	87%
THD	20%
Working temperature	-4°F~104°F
Storage temperature	-22°F~140°F
IP Rating	IP54

Product Dimension



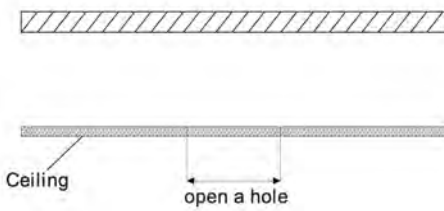
Measurements



Model Number	A	B	C	D	N.W / PC (lbs.)	G.W / PC (lbs.)
E2-DL254-4-12W-OAC3	5-15/16"	3-13/16"	3-5/8"	1-1/4"	0.66	0.88
E2-DL254-6-16W-OAC3-E	8-5/16"	5-15/16"	4-3/8"	1-1/4"	1.12	1.5
E2-DL254-8-22W-OAC3	10-5/16"	7-7/8"	4-7/8"	1-1/4"	1.5	1.98
E2-DL254-10-33W-OAC3	11-9/16"	8-5/8"	5-1/2"	1-1/4"	1.65	2.3

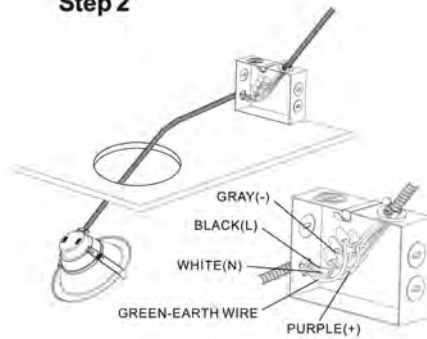
Installation Instruction

Step 1



The height of the fixture should be no less than 100mm
Opening a hole in ceiling according to cutout size of the lamp

Step 2



Connect AC and Dimming wire correspondingly as shown in picture

Step 3



Bend back the spring dips then push the lamp into the hole.

Step 4



Installation completed. Switch on.

WARNING

1. Switch off before installation / maintenance.
2. Switch on only after complete installation and examination of the circuit.
3. Professional electrician for installation and maintenance only.

Turn Off power supply before starting any installation. Read instructions & check you have all the tools & accessories to complete the installation correctly.

