



Specifications

| | |
|-----------------------|---|
| Input Power | 50W / 100W / 150W / 200W / 240W / 300W |
| LED Chip | HongLi 2835 |
| Driver Brand | Meanwell / SOSEN |
| Lumen | 6500LM / 13000LM / 19500 LM / 26000LM / 31200LM / 39000LM |
| Input voltage | AC100-277V 50/60Hz |
| Lumen Efficacy | 130LM/W |
| PF | > 0.9 |
| Color Temperture | 2700K-6500K |
| CRI | 70/80 |
| THD | ≤20% |
| Housing Color | Bronze / Black / Silver / White |
| Waterproof Rating | (WET) IP65 |
| Operating Temperature | -40°C to +45°C(-40°F to +113°F) |
| Storage Temperature | -20 C TO +60 C |
| Storage Humidity | 10%-90% RH |
| Warranty Time | 5years |

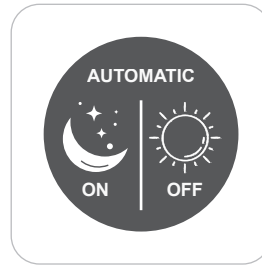
Features



Power Select



Motion sensor

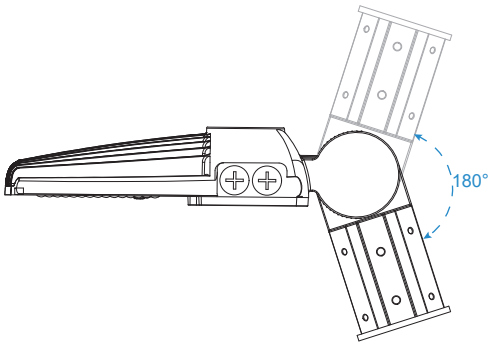


Photocell sensor

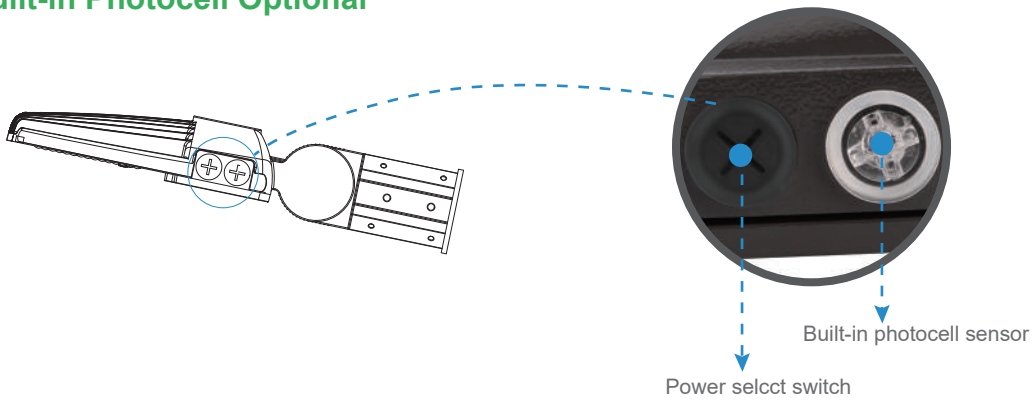


ADC12 Die casting

Bracket Angle 180° Adjustable



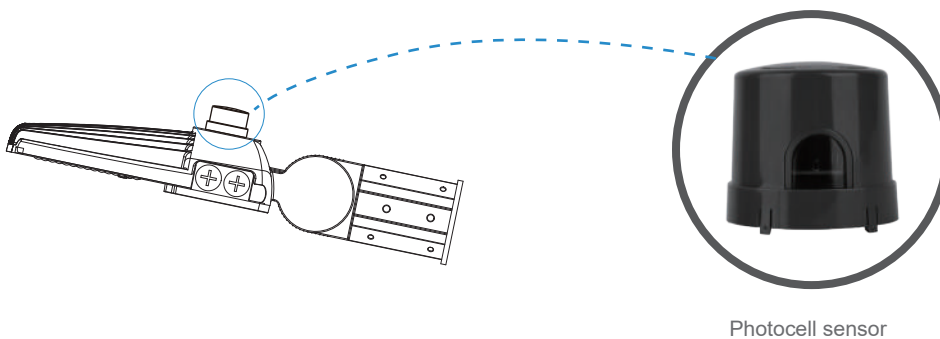
Built-in Photocell Optional



Power selcct switch

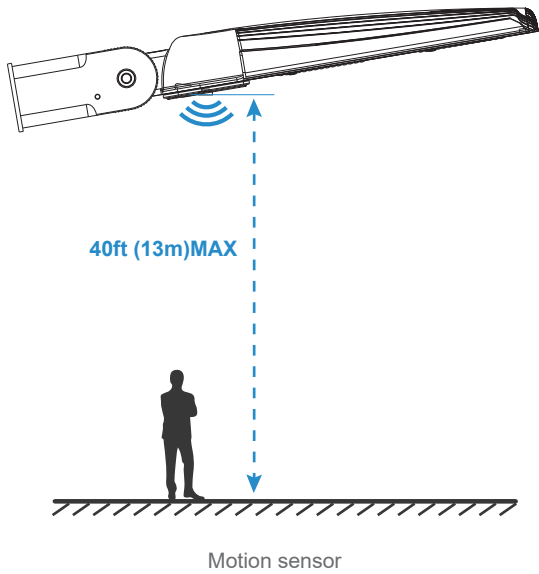
Built-in photocell sensor

Twist Lock Photocell Sensor

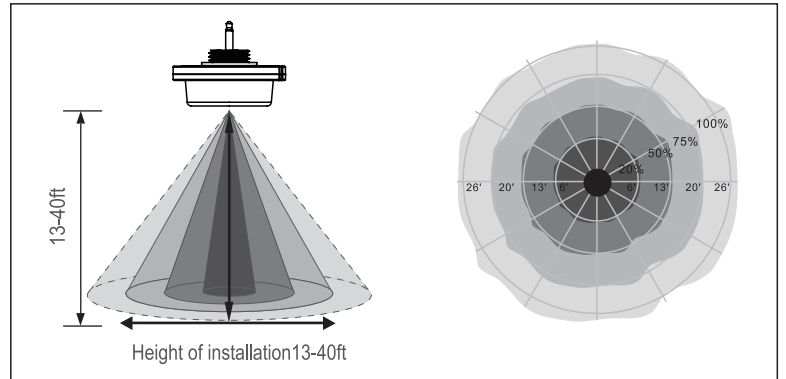


Photocell sensor

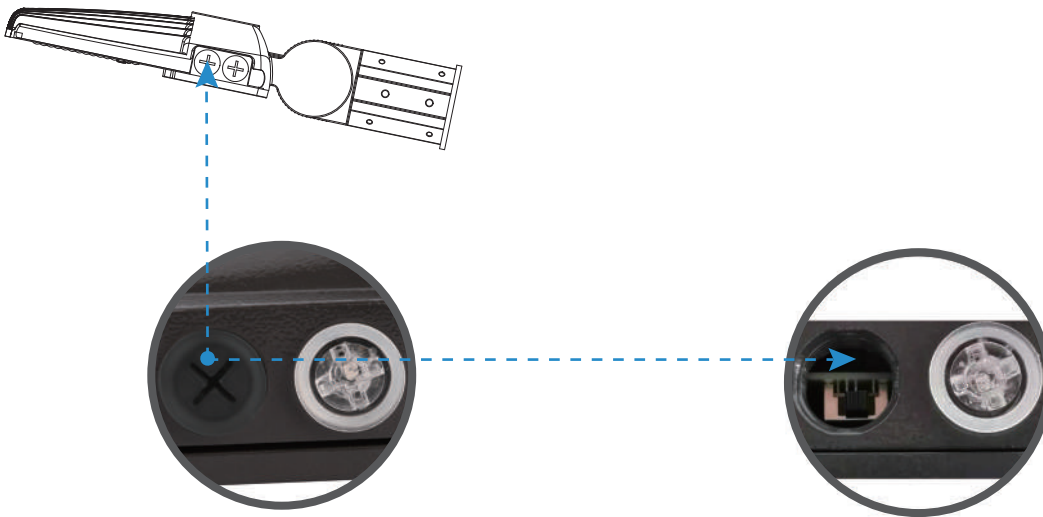
Bi-level Microwave Sensor Optional



SENSOR COVERAGE



DIP switch design, three wattages can be selected



DIP Switch

| | | |
|------|------|----------|
| 80W | 110W | 150W |
| 1 | 2 | 3 |
| 200W | 240W | 300W |
| 1 | 2 | 3 |

Compatible With Different Mount Brackets



Applications



Shopping Centers



Auto Dealership



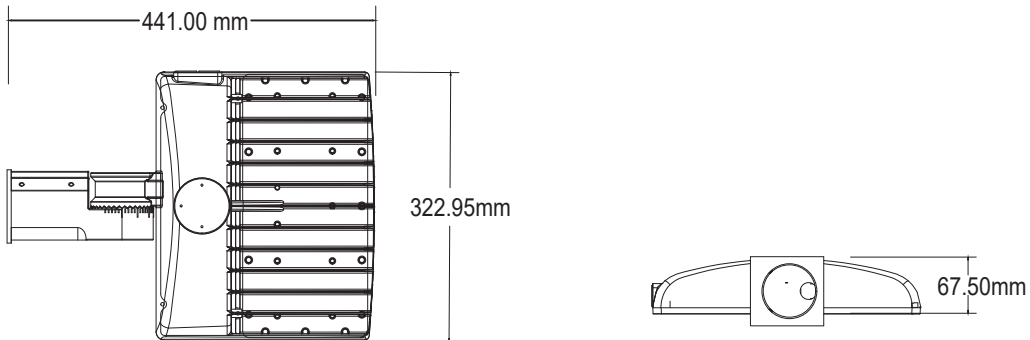
Sport Fields



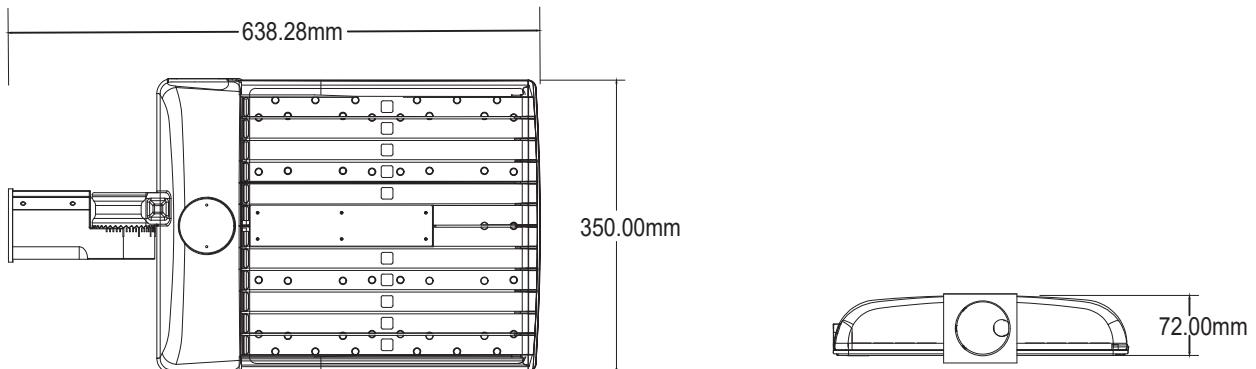
Roadways

Dimension Drawings

Dimension 1: (50W~150W)

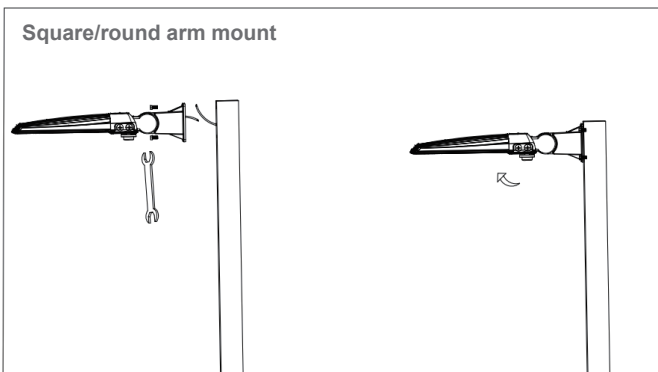


Dimension 2: (200W~300W)

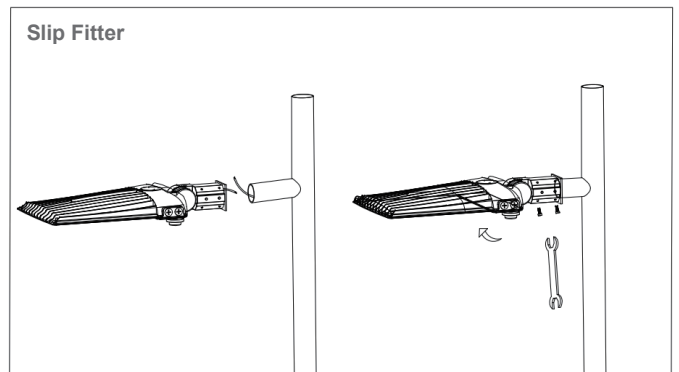


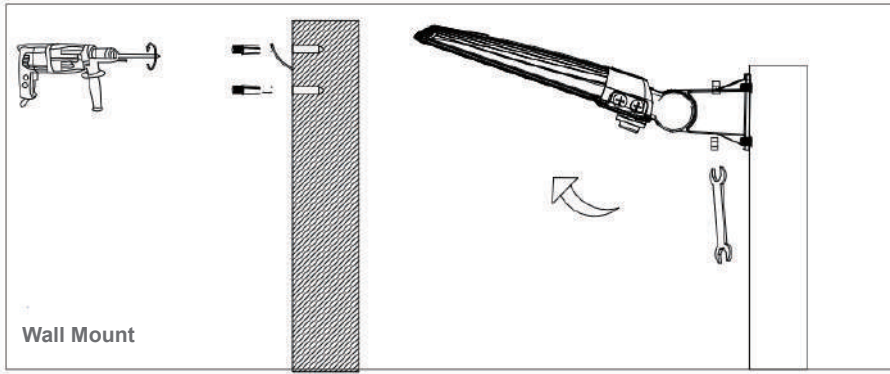
Installation

Square/round arm mount



Slip Fitter



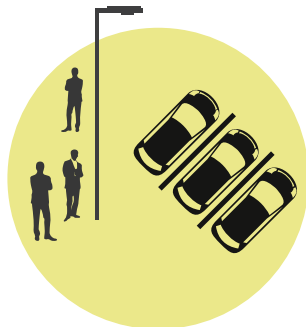
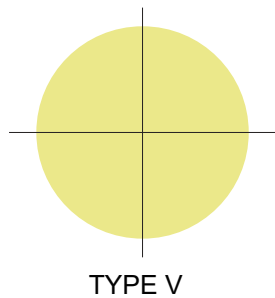
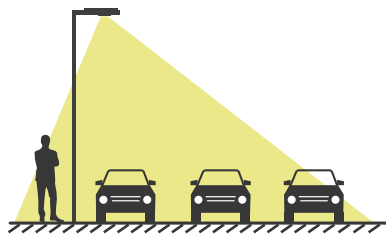
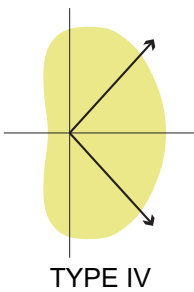
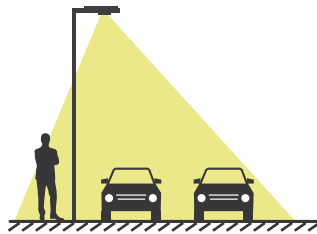
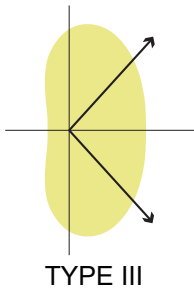


Wall Mount

Options For Optic Lens

Type III ,Type IV ,Type V and flood lens optional

Lens Ordering Matrix



Lens Distribution

T5

- T3 = Type III (90°X 140°)
- T4 = Type IV (100° X 140°)
- T5 = Type V (120°)
- 60 = *Flood (60°)
- 30 = *Flood (30°)

Flood Light Lens contain a Type V lighting distribution; typically used in applications with low mounting heights.

LENS QUANTITY PER FIXTURE

QTY: 1 for 50W / 80W QTY: 1 for 100W / 150W
 QTY: 2 for 200W / 240W QTY: 2 for 300W

Packaging information

| Wattage | Product Size(mm/in) | Package Size(mm/in) | N.W (Kg/lb) | G.W (Kg/Lbs) | QTY |
|---------|--|---|-----------------|----------------|-------|
| 50W | 340 x 322 x 77.5 mm 13.39 x 12.68 x 3.05 in | 580 x 400 x 130 mm 22.83 x 15.75 x 5.12 in | 3.8 Kg(8.38 lb) | 4.8kg(10.59lb) | 1 PCS |
| 100W | 340 x 322 x 77.5 mm 13.39 x 12.68 x 3.05 in | 580 x 400 x 130 mm 22.83 x 15.75 x 5.12 in | 3.8 Kg(8.38 lb) | 4.8kg(10.59lb) | 1 PCS |
| 150W | 340 x 322 x 77.5 mm 13.39 x 12.68 x 3.05 in | 580 x 400 x 130 mm 22.83 x 15.75 x 5.12 in | 3.8 Kg(8.38 lb) | 4.8kg(10.59lb) | 1 PCS |
| 200W | 538 x 354 x 72 mm 21.18 x 13.94 x 2.83 in | 610 x 410 x 130 mm 24.02 x 16.14 x 5.12 in | 5.2 Kg(11.47lb) | 6.7kg(14.78lb) | 1 PCS |
| 240W | 538 x 354 x 72 mm 21.18 x 13.94 x 2.83 in | 610 x 410 x 130 mm 24.02 x 16.14 x 5.12 in | 5.2 Kg(11.47lb) | 6.7kg(14.78lb) | 1 PCS |
| 300W | 538 x 354 x 72 mm 21.18 x 13.94 x 2.83 in | 610 x 410 x 130 mm 24.02 x 16.14 x 5.12 in | 5.2 Kg(11.47lb) | 6.7kg(14.78lb) | 1 PCS |

