



Specifications

Input Power	60W / 80W / 100W / 150W / 200W / 240W / 300W / 400W
LED Chip	SMD 3030 / 3535 Lumileds, Samsung or other LED Chip
Driver Brand	Meanwell / SOSEN / Other Brand
Lumen	7800LM / 10500LM / 13,000LM / 19,500LM / 27,000LM / 31,500LM / 40,000LM / 52,000LM
Input voltage	AC100-277V/AC120-347V/ AC180-480V
Lumen Efficacy	130 lm/W ~ 135 lm/W
PF	> 0.9
Color Temperature	2700K-6500K
CRI	70/80
THD	≤20%
Housing Color	Bronze / Black / Silver / White
Waterproof Rating	(WET) IP65
Operating Temperature	-40°C to +45°C(-40°F to +113°F)
Operating Humidity	10%-90% RH
Storage Temperature	-20 C TO +60 C
Storage Humidity	10%-90% RH
Warranty Time	5years

Features



Motion sensor

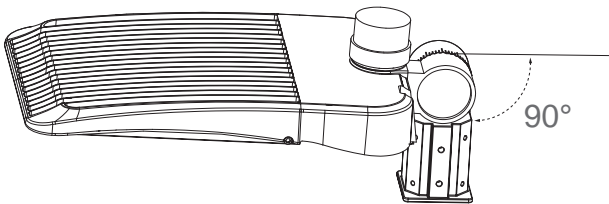


Photocell sensor

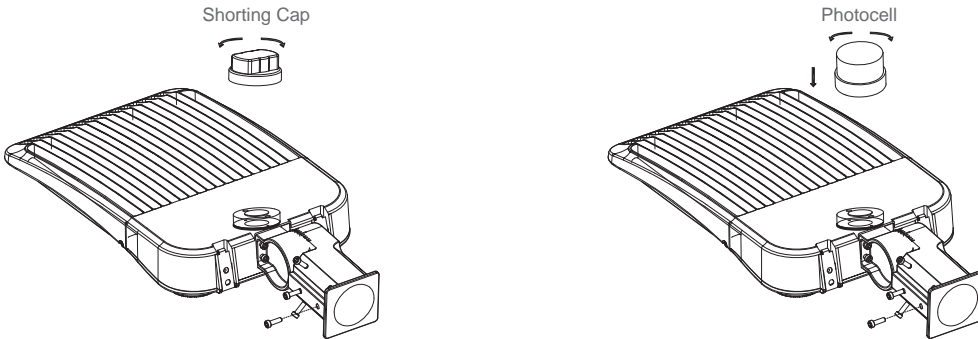


ADC12 Die casting

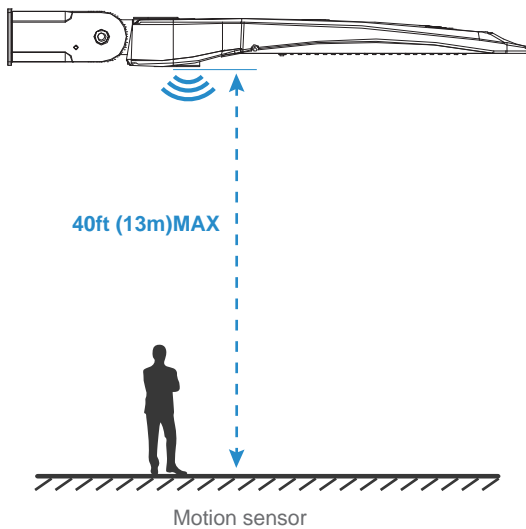
Bracket Angle 180° Adjustable



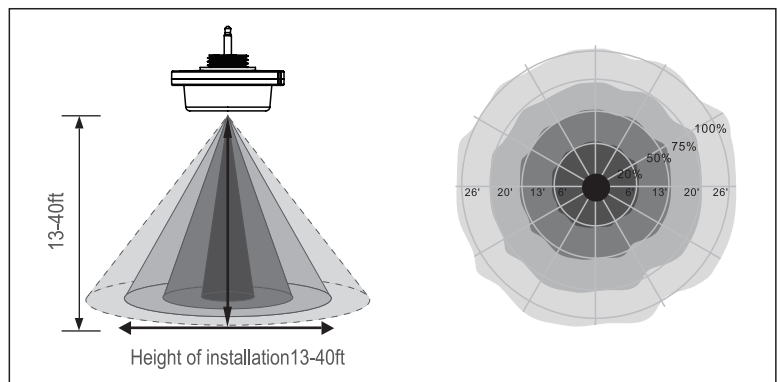
Twist Lock Photocell Sensor



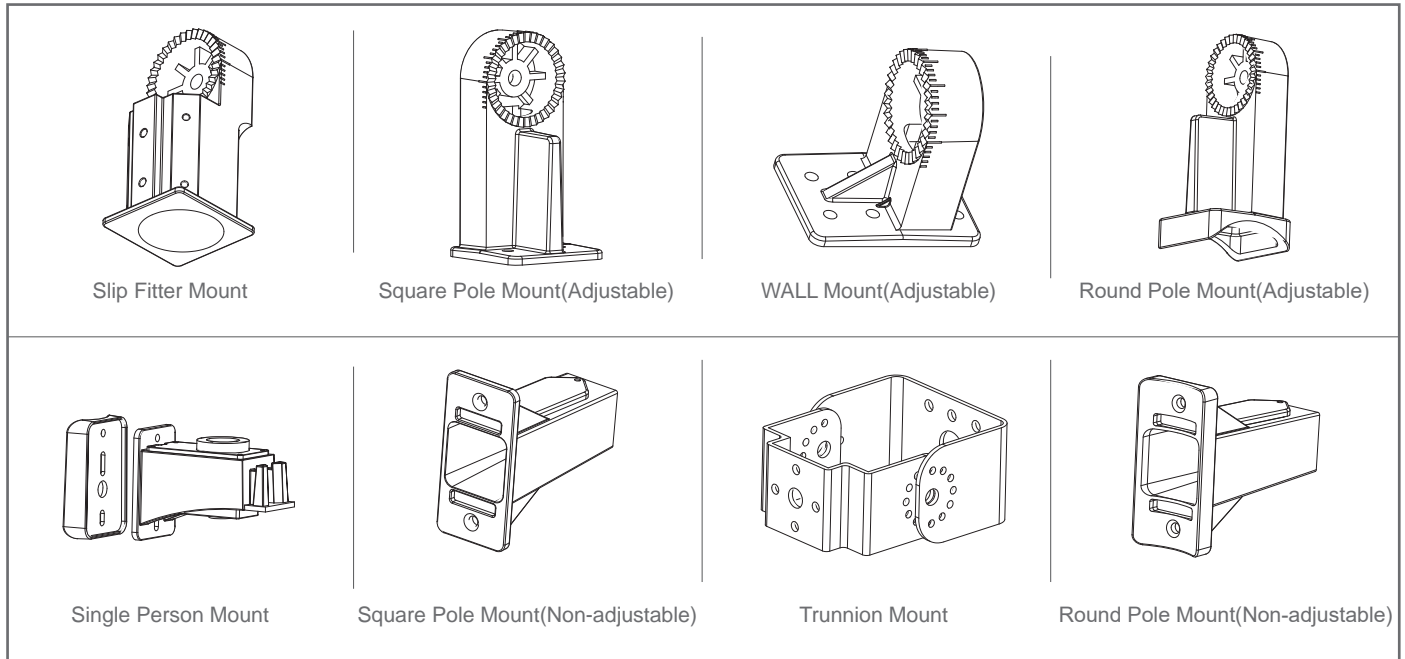
Microwave Sensor Optional



SENSOR COVERAGE



Compatible With Different Mount Brackets



Applications



Shopping Centers



Auto Dealership



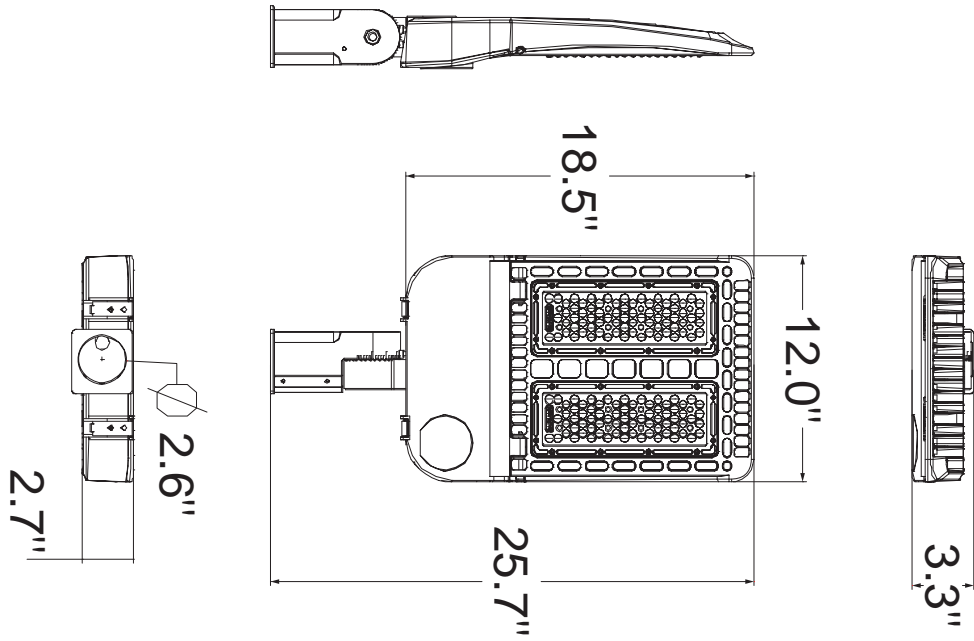
Sport Fields



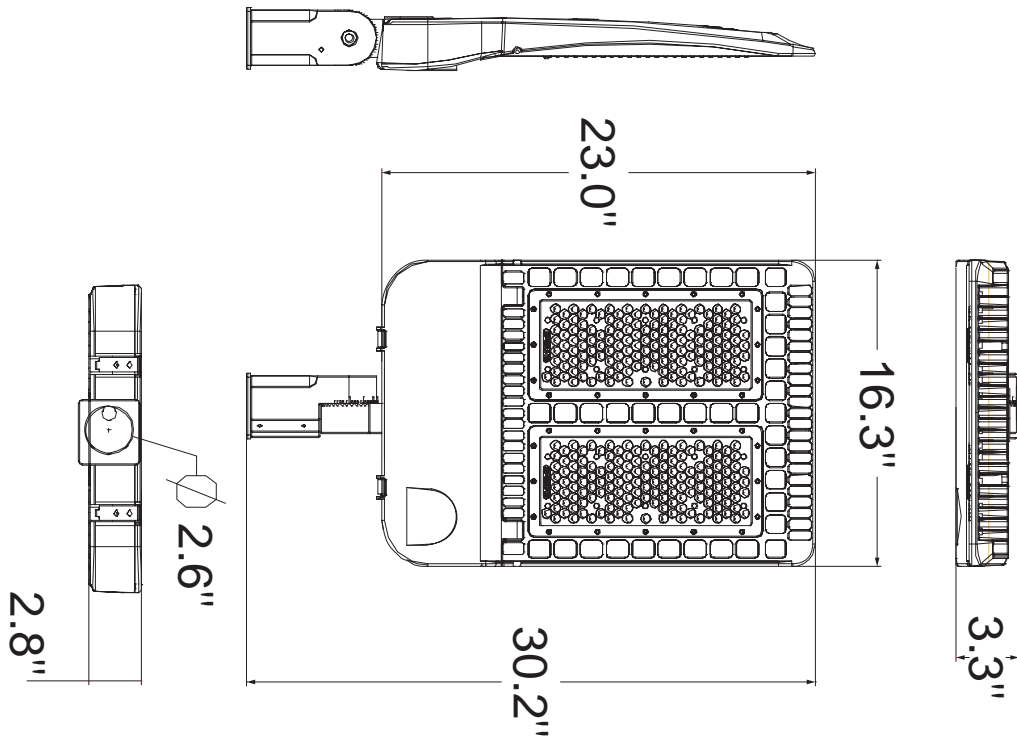
Roadways

Dimension Drawings

Dimension 1: (60W~240W)

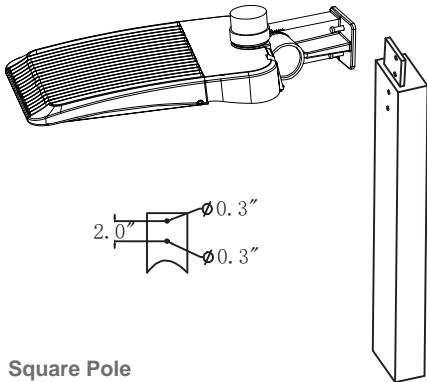


Dimension 2: (300W~400W)



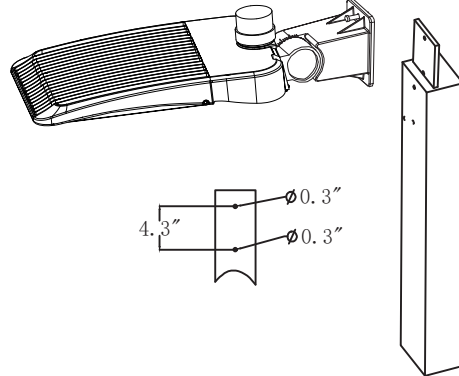
Installation

B2

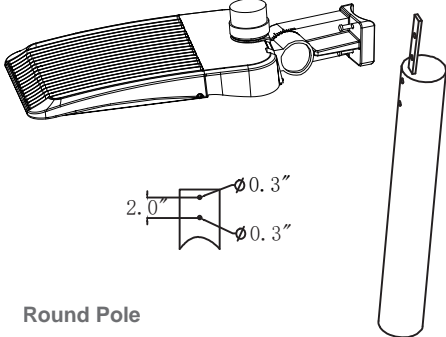


Square Pole

D2

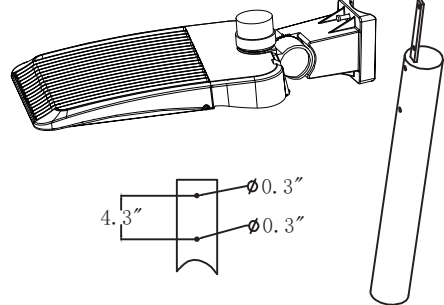


C2

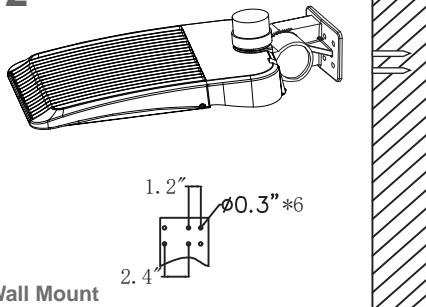


Round Pole

E2

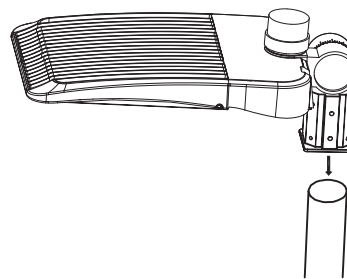


F2



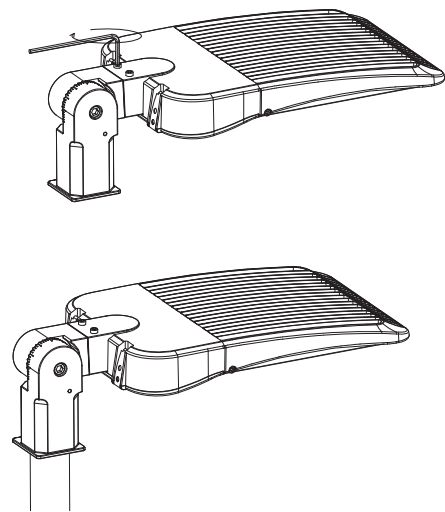
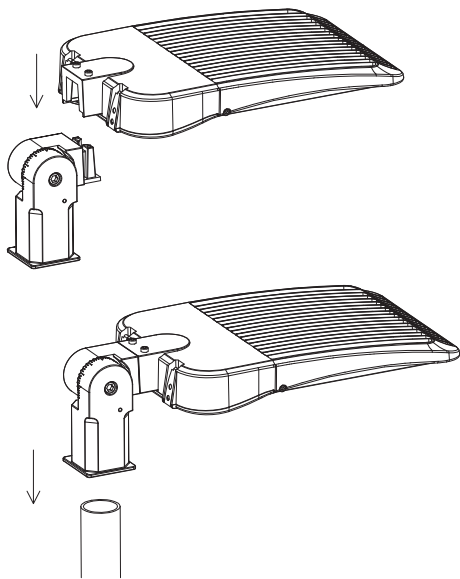
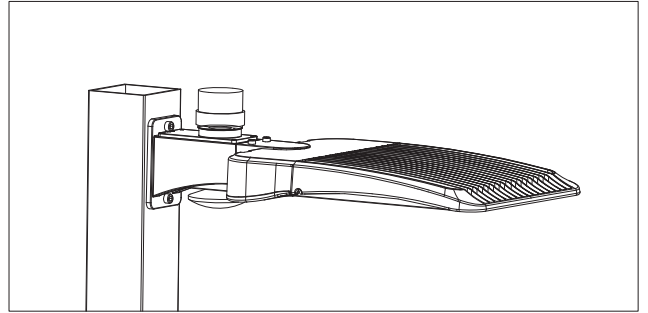
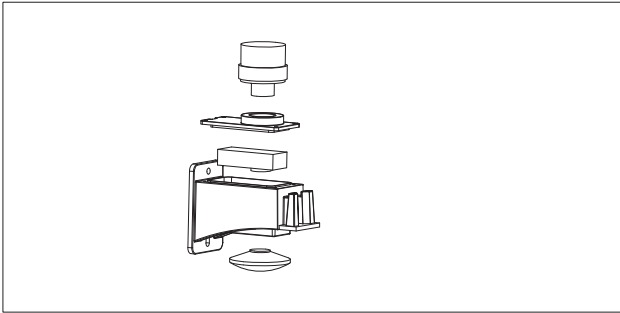
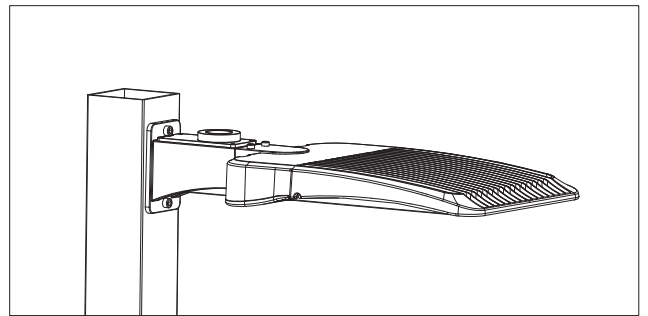
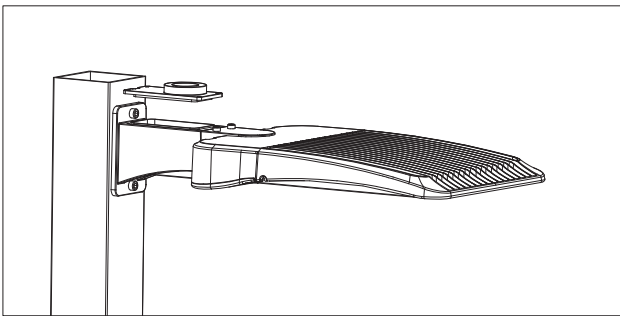
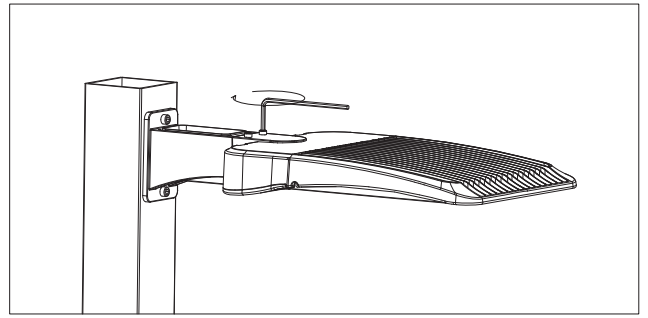
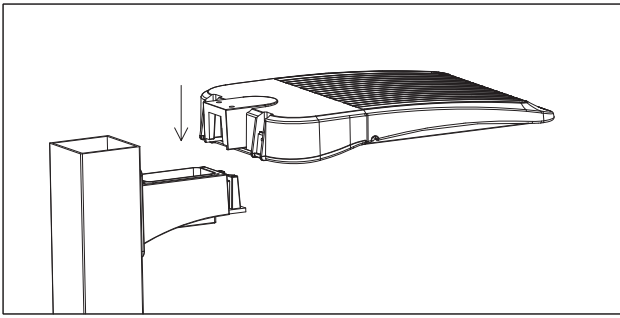
Wall Mount

A



Slip Fitter

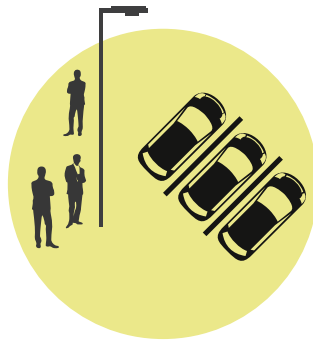
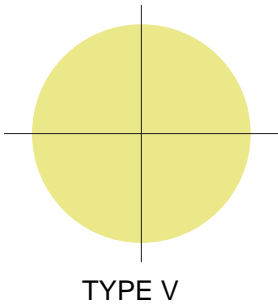
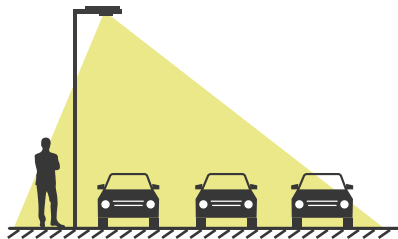
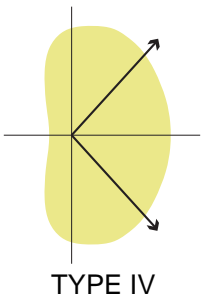
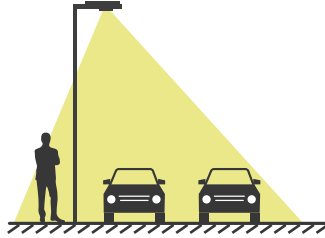
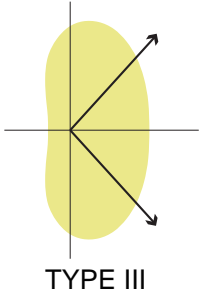
Single Person Mount



Options For Optic Lens

Type III ,Type IV ,Type V and flood lens optional

Lens Ordering Matrix



Lens Distribution

T3

- T3 = Type III (90°X 140°)
- T4 = Type IV (100° X 140°)
- T5 = Type V (120°)

Flood Light Lens contain a Type V lighting distribution; typically used in applications with low mounting heights.

LENS QUANTITY PER FIXTURE

- QTY: 1 for 60 W~ 240W
- QTY: 2 for 300 W~ 400W

Packaging information

Wattage	Product Size(mm/in)	Package Size(mm/in)	N.W (Kg/lb)	G.W (Kg/lb)	QTY
60W	653 × 305 × 84mm 25.7 × 12.0 × 3.3 in	700 × 410 × 160mm 27.56 × 16.14 × 6.30 in	7.20 Kg (15.87lb)	8.20 Kg (18.08lb)	1 PCS
80W	653 × 305 × 84mm 25.7 × 12.0 × 3.3 in	700 × 410 × 160mm 27.56 × 16.14 × 6.30 in	7.40 Kg (16.31lb)	8.40 Kg (18.52lb)	1 PCS
100W	653 × 305 × 84mm 25.7 × 12.0 × 3.3 in	700 × 410 × 160mm 27.56 × 16.14 × 6.30 in	7.60 Kg (16.76lb)	8.60 Kg (18.96lb)	1 PCS
150W	653 × 305 × 84mm 25.7 × 12.0 × 3.3 in	700 × 410 × 160mm 27.56 × 16.14 × 6.30 in	7.60 Kg (16.76lb)	8.60 Kg (18.96lb)	1 PCS
200W	653 × 305 × 84mm 25.7 × 12.0 × 3.3 in	700 × 410 × 160mm 27.56 × 16.14 × 6.30 in	7.90 KG (17.42lb)	8.90 KG (19.62lb)	1 PCS
240W	653 × 305 × 84mm 25.7 × 12.0 × 3.3 in	700 × 410 × 160mm 27.56 × 16.14 × 6.30 in	7.90 KG (17.42lb)	8.90 KG (19.62lb)	1 PCS
300W	770 × 415 × 89mm 30.3 × 16.3 × 3.5 in	870 × 500 × 190mm 34.25 × 19.69 × 7.48 in	11.6 KG (25.57lb)	13.0 KG (28.32lb)	1 PCS
400W	770 × 415 × 89mm 30.3 × 16.3 × 3.5 in	870 × 500 × 190mm 34.25 × 19.69 × 7.48 in	12.5 KG (27.56lb)	13.9 KG (30.64lb)	1 PCS

