

## Generation 2

# Ultra Slim LED Down Light Panel w/Emergency Battery

E2-P4inch-9W-E-G2  
 E2-P6inch- 16W-G2  
 E2-P8inch- 18W-G2



Flexible Conduit : 16"

### Specification:

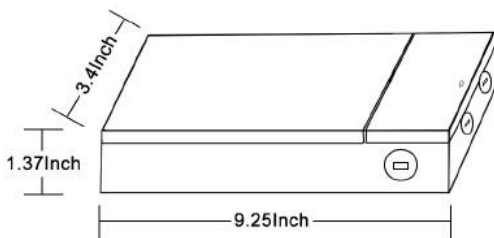
Input voltage	100-277VAC	Emergency output power	9W	10W	10W
Input frequency	50/60 Hz	Emergency mode Lumen	960 Lumens	960 Lumens	960 Lumens
Battery specification	6.4V	AC output power	4inch 9W	6inch 16W	8inch 18W
Emergency time	1.5H (>90mins)	AC mode Lumen	960lm	1600lm	1800lm

### PRODUCT DESCRIPTION:

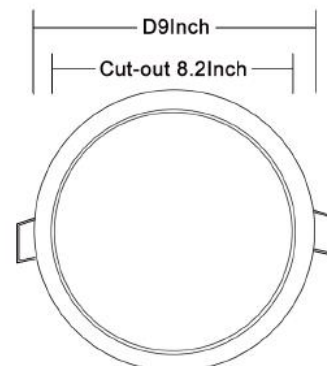
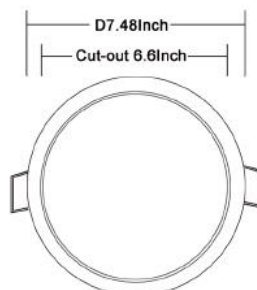
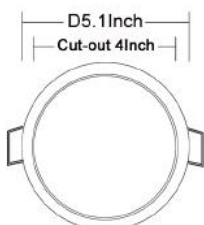
The E2 LED Down light with Emergency Battery Backup is an Ultra-Thin Recessed Down Light Can and all conduit cable connection. This is IC rated for direct installation. No mounted cans are required for ceiling Installation. Its super thin profile allows you to quickly install into almost any location with its two pressure fit clips. The E2 Down Lights are suitable for damp locations and soffit installations, which is perfect for limited space locations.

### FEATURES:

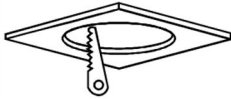
- 10W Emergency power 1000lm for 90mins plus
- 100-277V input voltage
- All in one driver 5XCCT Tunable
- 9w/ 16w/ 18w & 27K/ 30K/ 35K/ 40K/ 50K
- 0-10V Dim with 12V(for sensor)
- Die-casting aluminum housing and driver box
- Ultra-thin body
- ETL & ES certification

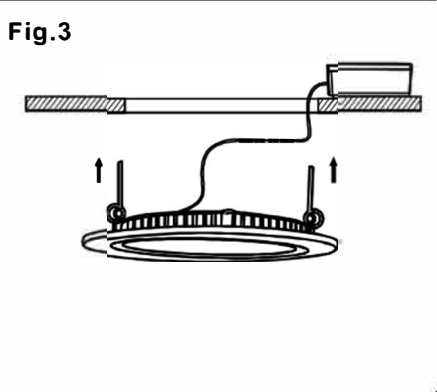
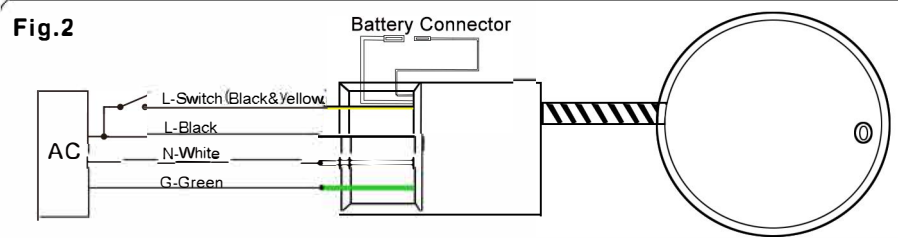


EBBU Driver J-box with 16inch conduit to Lamp




## Wiring Diagram

**Fig.1**  **Hole-Cut size**  
 4" Opening  $\varnothing$  4" ( $\varnothing$ 101mm)  
 6" Opening  $\varnothing$  6 5/8" ( $\varnothing$ 168mm)  
 8" Opening  $\varnothing$  8 1/4" ( $\varnothing$ 208mm)



**CAUTIONS:**  
 Please read this manual carefully before installing emergency panel.  
 Please turn off AC power before rewiring and installation.  
**Ensure that L and N of the panel are properly connected to L and N of the AC power supply!**



## AC Operation



1. LED Indicator on when EBBU Mode
2. LED Indicator Slow flicker when Charging
3. LED Indicator quick flicker when EBBU issue (self-inspection function)
4. Press down the test button, turn to EBBU Mode  
Release the Test Button, Turn To AC Mode

 **When using electrical equipment, basic safety precautions should always be followed including the following:**

**READ AND FOLLOW ALL SAFETY INSTRUCTIONS.**

1. After getting the lamp, do not hurry to install it. Please read the installation and use safety instructions, and install and use the lamp according to the instructions.
2. Before installing, make certain the AC power to the fixture is off.
3. Do not use outdoors.
4. Do not let the lamp touch hot surfaces.
5. Do not mount near gas or electric heaters.
6. Repairs and maintenance must be carried out by qualified personnel
7. In this reminder, do not frequently switch the power supply when the lamp is in use. Since the lamp is frequently started at all times, the current is passed through the light source, Higher than normal working current, making the light source heating violently, thus reducing the service life.

 **WARNING: RISK OF SHOCK** , House electric current can cause painful shock or serious injury unless handled properly .

**CAUTION:** Turn off the main power at the circuit breaker before installing ,in order to prevent possible shock