



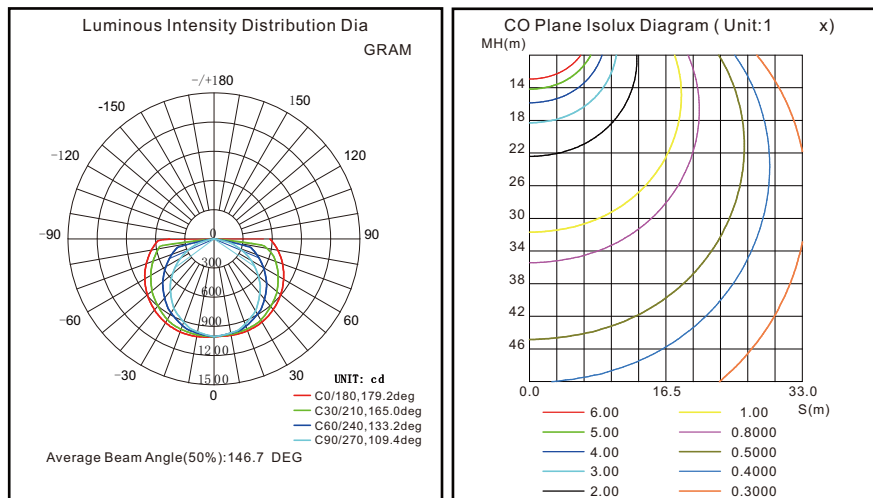
## Specifications

Part No.	Power	Input Voltage	Luminous Flux	Luminous Efficacy	CCT	Viewing Angle	Ra	PF	Warranty
E2-LS-STD-2-25W E2-LS-STD-2-25W-E E2-LS-STD-2-25W-S E2-LS-STD-2-25W-ES	15W/20W/25W	AC100-277V	3250lm	130lm/W	3000K 3500K 4000K 5000K	120°	>80	>0.9	5Years
E2-LS-STD-4-40W E2-LS-STD-4-40W-E E2-LS-STD-4-40W-S E2-LS-STD-4-40W-ES	25W/30W/40W		5200lm						
E2-LS-STD-8-64/75/90W	64/75/90W		11700lm						

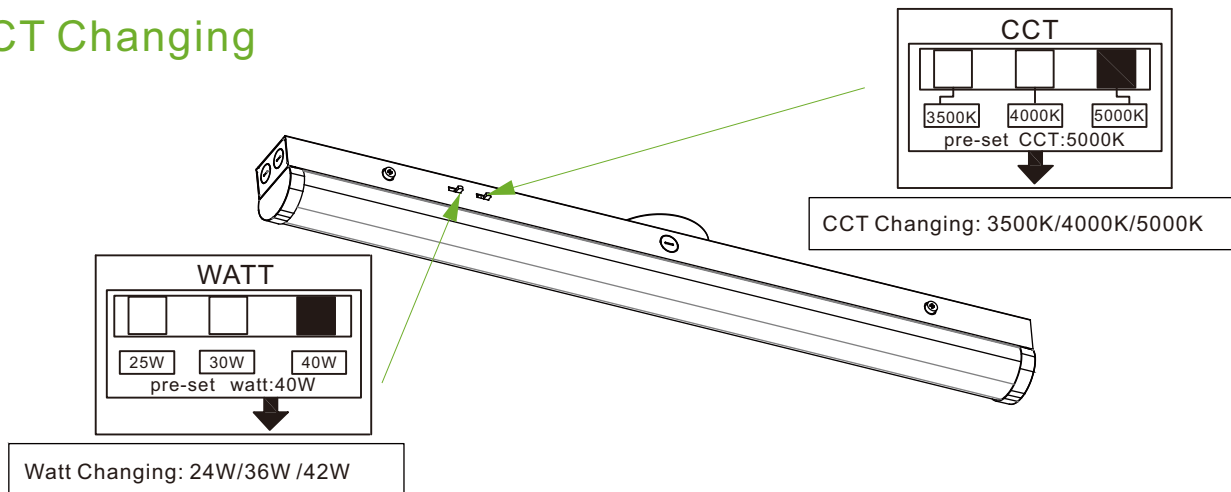
The following multiple functions can be achieved according to customers' requests:

1. CCT options: 3000K, 3500K, 4000K, 5000K.
2. Available with external or built-in microwave motion sensor.
3. Emergency: the power is 8W, it can still work in 1.5hrs while emergency situation.

## Testing Report



## CCT Changing



## Important

Read this instruction carefully before installation. Keep it for further reference.  
Make electrical and grounded connections in accordance with the national electrical code and any applicable code. Always turn off the power supply before installation.  
This product must be installed in accordance with the applicable installation code by a qualified electrician who is familiar with the construction and operation of the product and the hazards involved.

### WARNING:

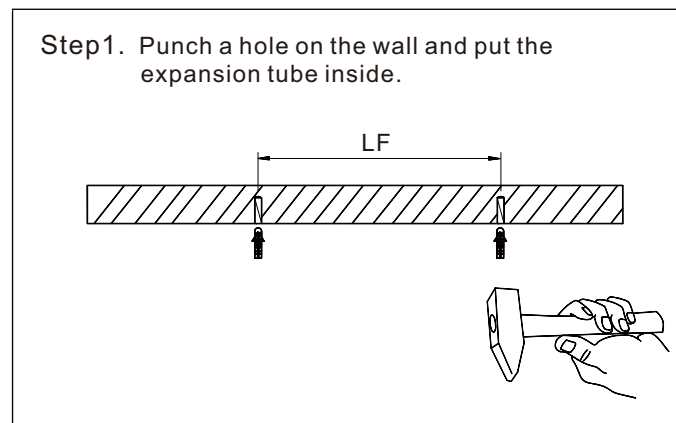
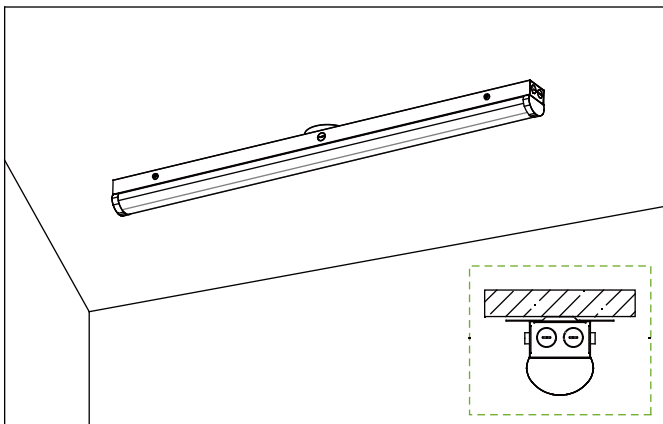
- ⚠ Risk of fire or electric shock. Fixture installation requires knowledge of luminaires electrical systems. If not qualified, Do Not attempt installation. Contact a qualified electrician.
- ⚠ Risk of fire or electric shock. Suitable for wet locations. Always turn off the power supply before installation.
- ⚠ Risk of fire or electric shock. Suitable for non-insulated surface and frame. DO NOT cover fixture with insulation liner or similar material.
- ⚠ DO NOT install fixture on unstable, loose or easily breakable surface.
- ⚠ DO NOT exert force on the surface of the fixture.

## Note

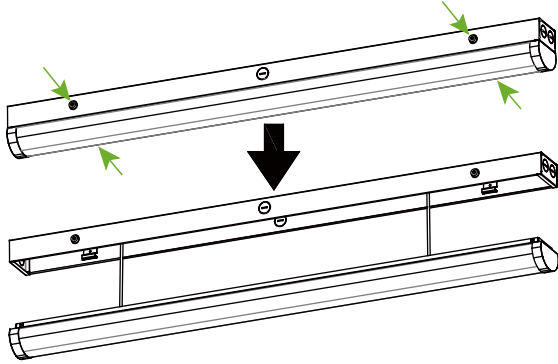
1. The installation and maintenance must be completed by electricians or professionals.
2. Please cut off the power before installation and maintenance.
3. The thermally insulating material is not allowed to cover the fixture.
4. Please keep away from the corrosive substance, and keep the fixture dry and clean.
5. Working temperature:  $-4^{\circ}\text{F} \sim 113^{\circ}\text{F}$ , storage temperature:  $-22^{\circ}\text{F} \sim 140^{\circ}\text{F}$ .

## Installation manual

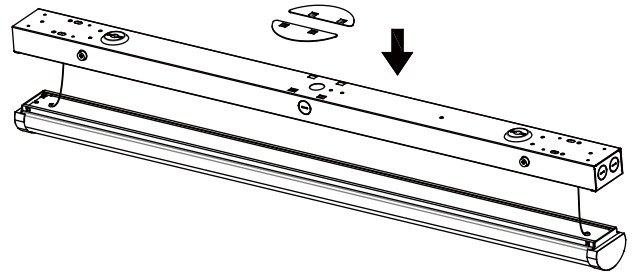
### A.Surface-mounted installation



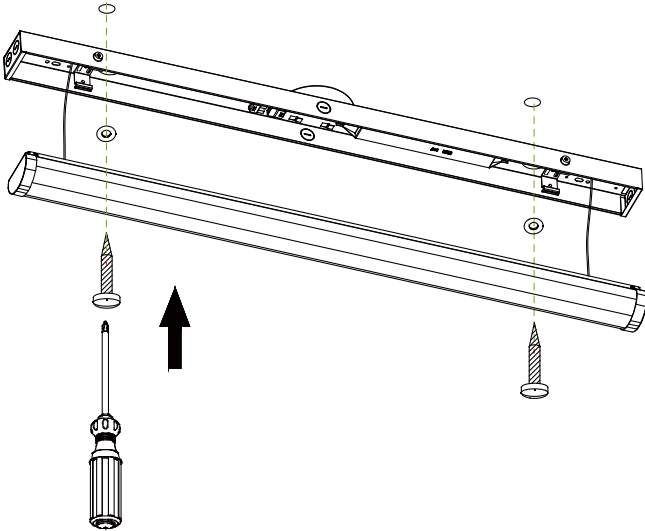
Step2. Press the buckle on both sides and remove



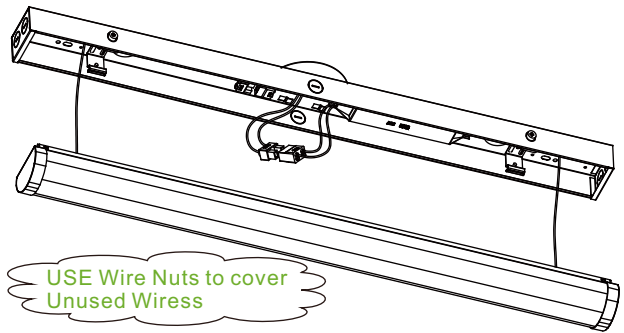
Step3.



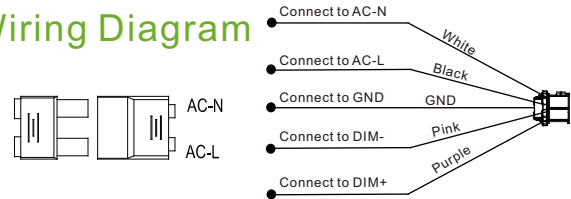
Step4. Secure the fixture on the wall and lock it in tight.



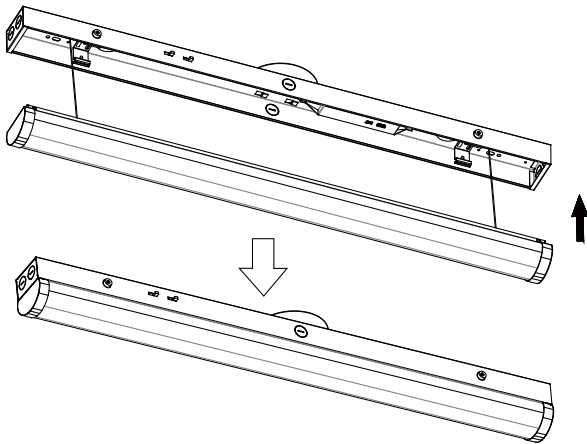
Step5. Turn off the power and wiring by using wire nuts.



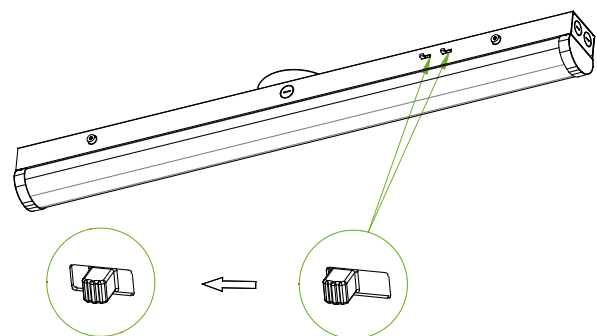
### Wiring Diagram



Step6. Press upward the cover and lock it with springs tightly which located into the fixture



Step7. Installation completed.



LED CCT Switch and Watt Switch

B. Suspending installation (With chains)

	<p><b>Step1. Fixing the hook and suspending the lamp</b></p> <p>Ceiling</p>
<p><b>Step2.</b></p> <p>Power Leads Connection Remove screw holding access cover plate and remove the necessary knockout</p> <p>Knockout</p>	<p><b>Step3. Turn off the power and wiring by using wire nuts</b></p> <p>Connect cable wires with appropriate relief strain and wire connectors (ont provided). Make sure ALL wires are tucked in before reinstalling the cover plate.</p> <p>From power source</p> <p><b>USE Wire Nuts to cover Unused Wires</b></p>
<p>Turn on the switch</p>	<p>AC-N ● Connect to AC-N White</p> <p>AC-L ● Connect to AC-L Black</p> <p>● Connect to GND GND</p> <p>● Connect to DIM- Pink</p> <p>● Connect to DIM+ Purple</p>
<p><b>LED CCT Switch and Watt Switch</b></p>	