



DC lighting controller

TL-HI+@NPL+KD+/0+.0

Product Range

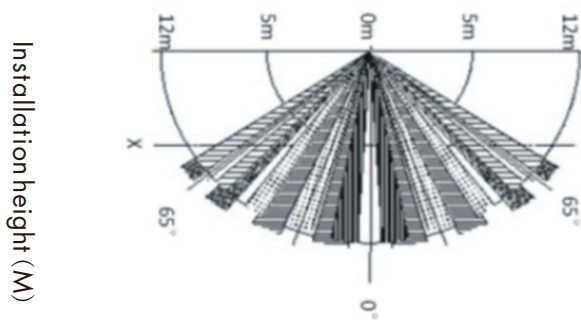
Part No.	Input voltage	Operating current	Operating temperature	Dimension	Weight	IP rating
TL-JK-BPRN-MF-12-02	DC 12V	100mA (max)	-20~+45°C	86.5mm(L) 26mm(W) 34mm(H)	92g	IP65

Features

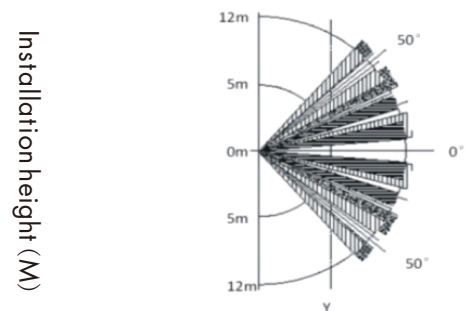
- 12V Jack output port, 0-10V dimming power supply can be connected through jack wiring;

Sensor detection angle

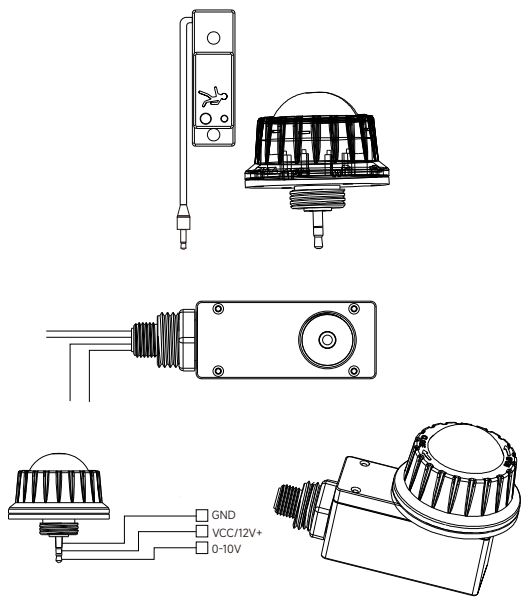
Contest installation detection range map



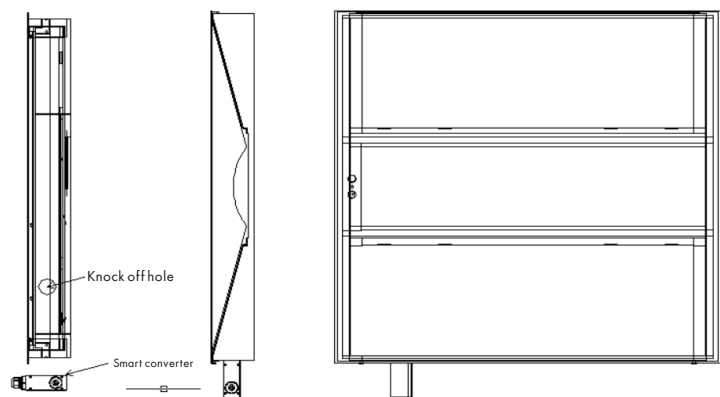
Wall installation detection range map



Wiring circuit diagram



Wiring diagram



1. First, open one of the knock down holes at the power AC wiring position of the panel lamp or the torffer.
2. Install the smart converter into the knock down hole and fix it with nuts.
3. Connect the corresponding wires as shown in the document wiring diagram.
4. Install the Bluetooth module required in the place of use into the converted jack interface.
5. Please disconnect all electrical connections.

Application



Wallpack



LED Panel



UFO High Bay



Liner High Bay

Installation Precautions:

1. Turn off the circuit breaker switch at the power supply before installing the Bluetooth module
2. Do not install lamps and places in front of large-scale metal shield

Precautions

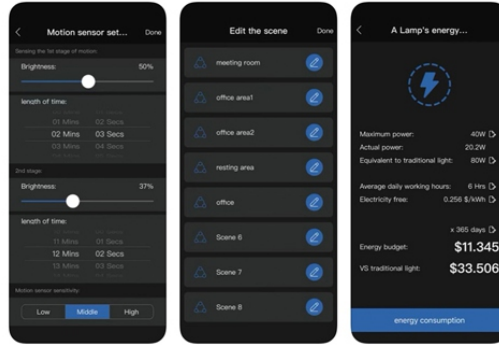
1. We reserve the right to correct the technical parameters of necessary words and pictures
2. Without permission or authorization, the product shall not be disassembled for human damage, otherwise the guaranteed contract terms shall be immediately invalid
3. The product should not be installed in places where the air flow will change suddenly, such as the air outlet of the air conditioner, the rotating position of the wind direction, etc

APP "SL solutions"

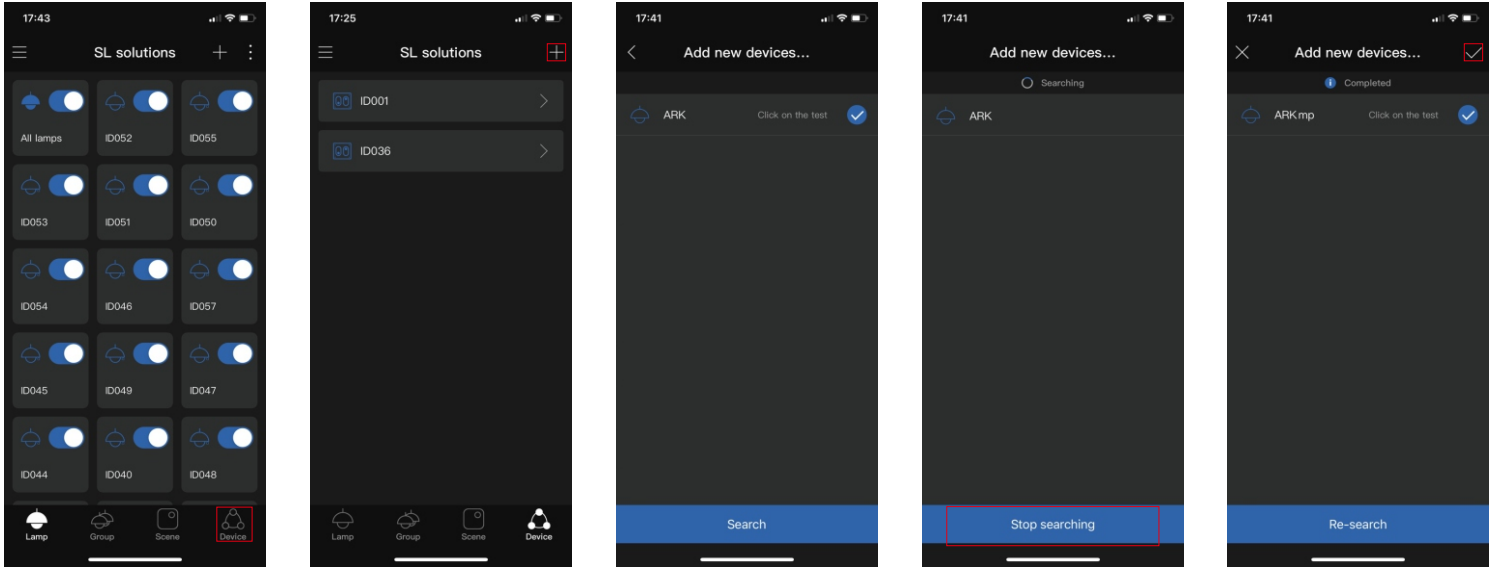


SL solutions
Smart Lighting Solution

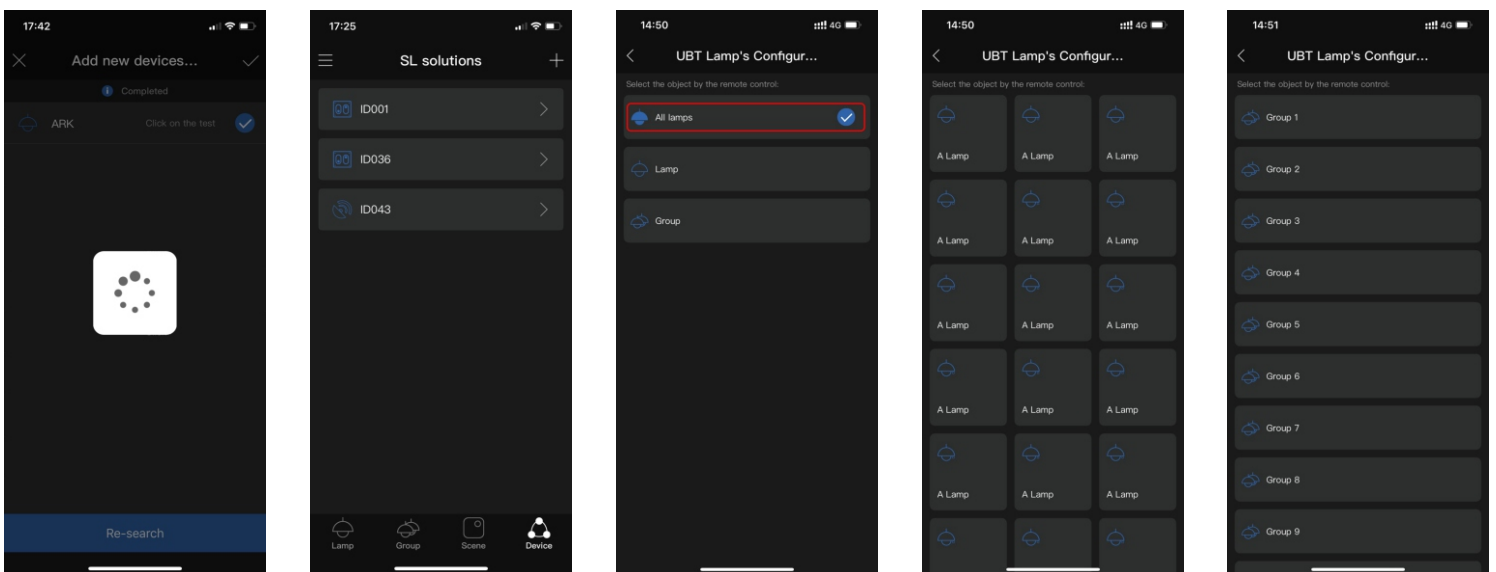
OPEN



Add sensor



- 1-Click accessories
- 2-Click add device
- 3-Click search
- 4- Click to stop searching after searching out the device
- 5- After stopping the search, select the device that needs to be added



- 6- Click on the added device to enter the configuration page
- 7-Enter the binding device page
- 8-Select the device to be bound, which can support binding group, all devices, or single light
- 9-Bind a single device page,
- 10-Bind group page