

CCT/WATT ADJUSTABLE BACKLIT LED FLAT PANEL

The E2-JL Series dual Selectable LED Panels are commercial luminaires utilizing advanced driver technology providing in all sizes wattage and CCT adjustable panels, offering superior lighting performance while minimizing inventory by reducing the amount of stocking SKUs.

They achieve high uniformity, DLC PREMIUM energy efficiency and reduced glare in typical T-bar grid ceiling applications.

Our state-of-the-art backlit LED technology utilizes PMMA lensing over the LEDs which will not discolor over time.



SPECIFICATIONS

CONSTRUCTION

- Aluminum frame in white finish, steel die-formed back enclosure

OPTICS

- PMMA lenses over LEDs, PS diffuser
- SDCM < 5
- UGR < 22
- 120° Beam angle

ELECTRICAL

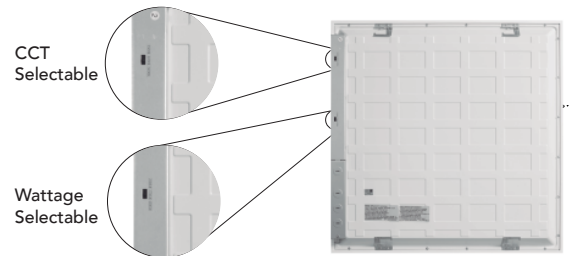
- 0-10VDC Dimming (10%-100%)

CERTIFICATIONS

- UL Listed for Damp Locations
- IC Rated for insulated ceilings
- RoHS, FCC
- DLC 5.1 PREMIUM
- -20°C to 35°C (-4°F to 95°F)

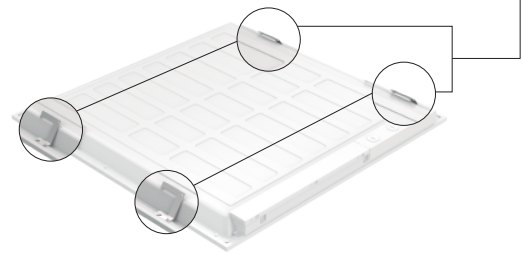
WARRANTY

- 5 Year



INSTALLATION

- Recessed in T-bar grid ceiling with integral earthquake clips for secure attachment
- Surface mount and suspension mount cable kit accessories available



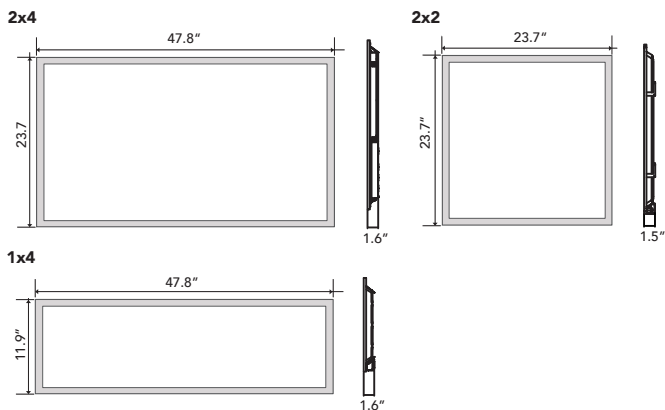
QUICKSHIP ORDERING INFORMATION

Catalog No.	Description	Weight	Qty/Carton	Qty/Pallet
E2-JL-24-M72W-CCT	2x4 LED Flat panel, 30/40/50/60/72W adj wattage, 3500/4000/5000/5700/6500K CCT adj, 120-277V, 0-10VDC dimming, DLC 5.1 PREMIUM	35 lbs /4pcs carton	4	72
E2-PL-JL-2X2-M40W-CCT	2x2 LED Flat panel, 15/20/25/30/40W adj wattage, 3500/4000/5000/5700/6500K CCT adj, 120-277V, 0-10VDC dimming, DLC 5.1 PREMIUM	16 lbs /4pcs carton	4	72
E2-PL-JL-1X4-M40W-CCT	1x4 LED Flat panel, 25/30/40W adj wattage, 3500/4000/5000K CCT adj, 120-277V, 0-10VDC dimming, DLC 5.1 PREMIUM	16 lbs /2pcs carton	2	80

SPECS AT A GLANCE

Size	E2-JL-24-M72W-CCT	E2-PL-JL-2X2-M40W-CCT	E2-PL-JL-1X4-M40W-CCT
Wattage	30/40/50/60/72W adj	15/20/25/30/40W adj	25/30/40W adj
CCT	3500K/4000K/5000K/5700K/6500K	3500K/4000K/5000K/5700K/6500K	3500K/4000K/5000K/
Lumens	3825/5100/6375/7650/9180 LM	1912/2550/3187/3825/5100 LM	3187/3825/5100 LM
Efficacy (LPW)	127.5	127.5	127.5
CRI	80		
Input Voltage	120-277VAC, 0-10VDC Dimming		
Certifications	DLC 5.1 PREMIUM*, UL, Damp Location, FCC, RoHS		
Operating Temp	-20°C to 35°C (-4°F to 95°F)		
Warranty	5 Years		

DIMENSIONS



PHOTOMETRY

