

## LED Vapor Tight

E2-VP-4-32/40/50W-35/40/50K-E



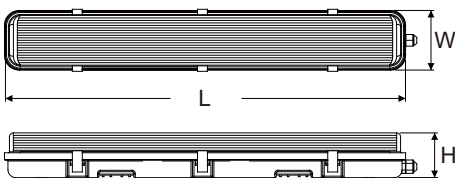
## Product Description:

E2 Lighting's Non Cut-Off Wall Pack is a highly efficient, multi-function fixture that provides a long-lasting and energy saving lighting solution. This fixture is equipped with Internal CCT color temperature and wattage tunable switch. The rugged housing offers advanced thermal management and protection against outdoor environments without compromising aesthetics.

## Features

- ETL/CETL/DLC certificate.
- Pre-wired 10W Emergency Battery with Indicator Push button.
- 1250lm in battery mode for 90 mins.
- Wet location rated Ip65.
- PC and aluminum housing.
- CCT tunable.
- UV-resistant polycarbonate refractor lens.

## Dimension

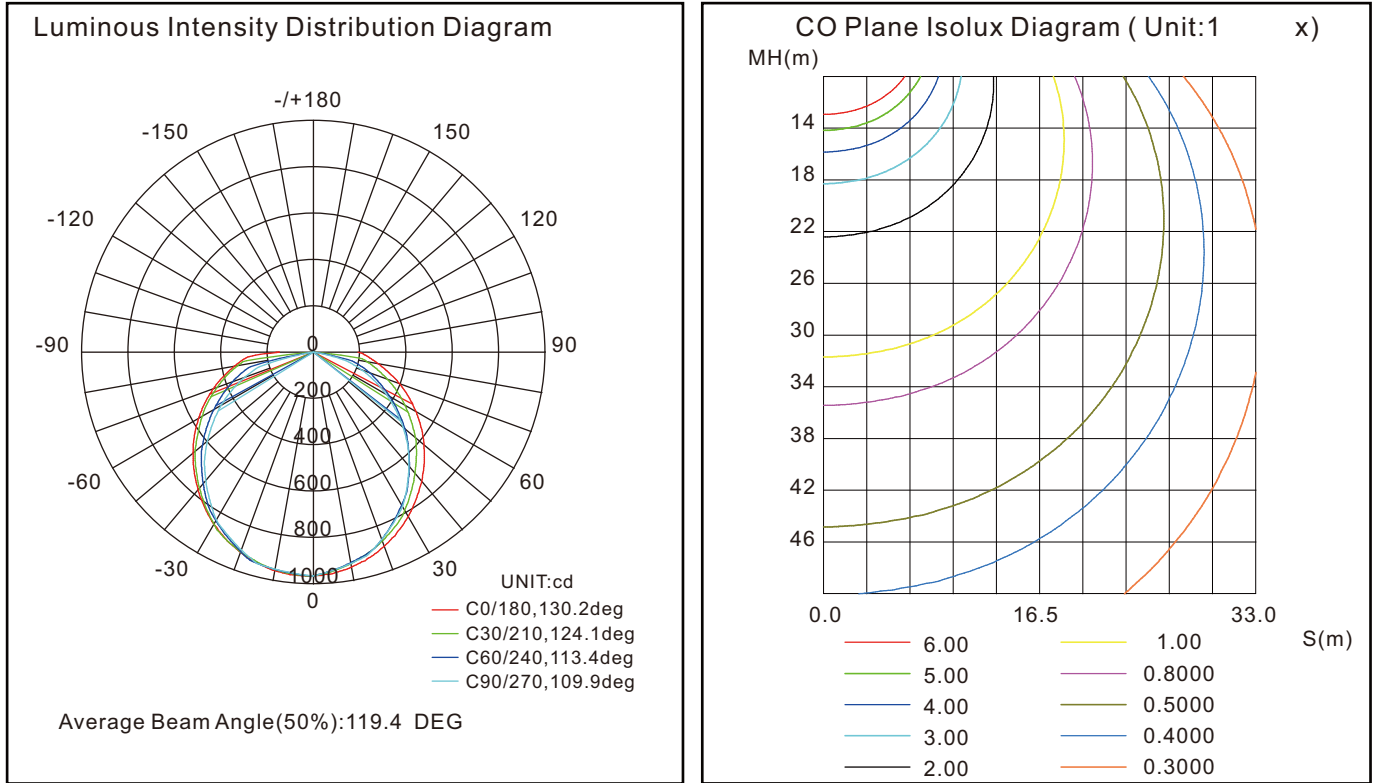


Model	L×W×H
E2-VP-4-32/40/50W-35/40/50K-E	1200x110x88 (mm)/ 47.2"x3.86"x3.46"

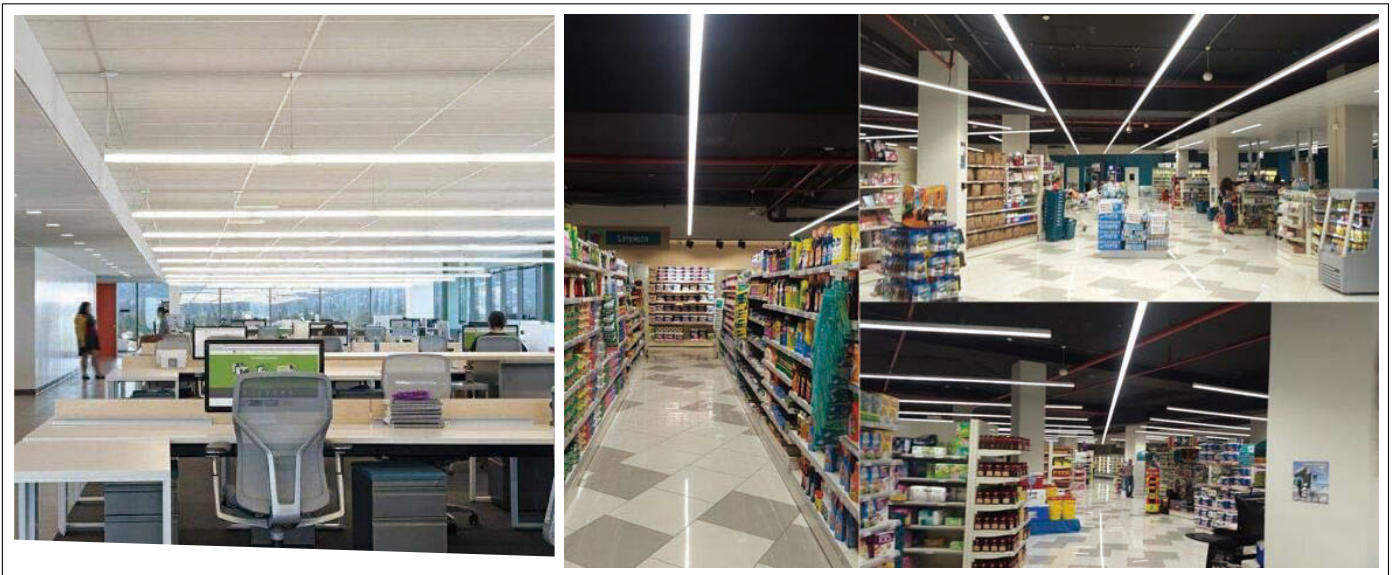
## Specification

Part No.	Power	Input Voltage	Luminous Flux	Luminous Efficacy	CCT	Viewing Angle	Ra	PF	Warranty
E2-VP-4-50W-3CCT-E	30W	AC100-277V	3750lm	125lm/W	3500K 4000K 5000K	120°	>80	>0.9	5Years
	40W		5000lm						
	50W		6250lm						

## Testing Report



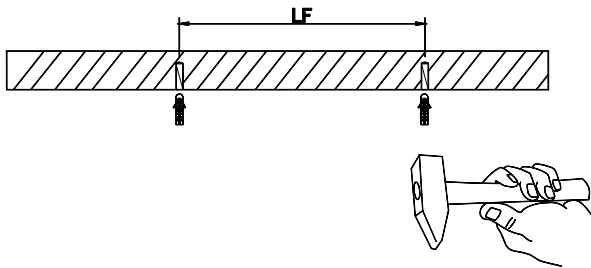
## Applications



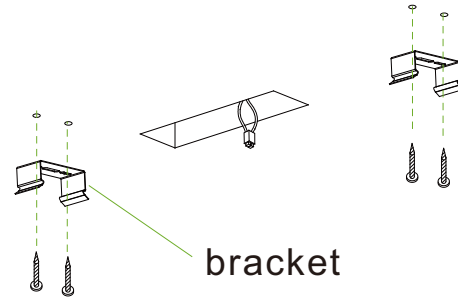
## Installation manual

### A. Surface-mounted installation

Step1. Punch a hole on the wall and put the expansion tube inside.

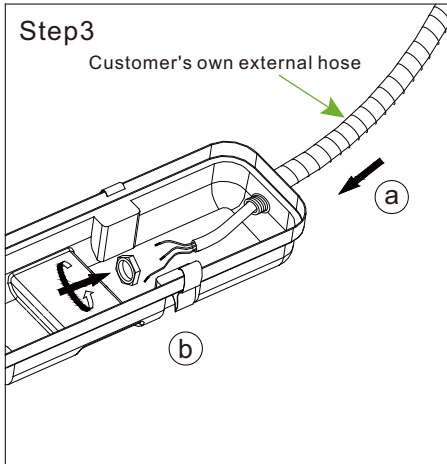


Step2. fix the buckles in parallel by screws with distance

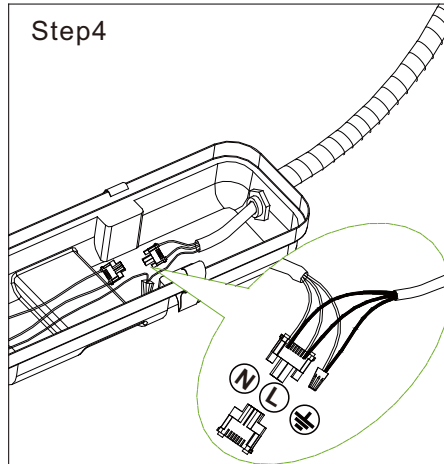


Step3

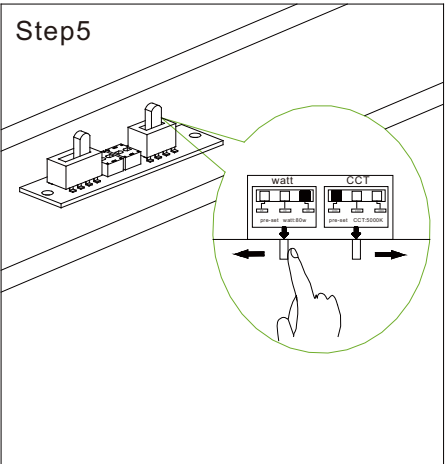
Customer's own external hose



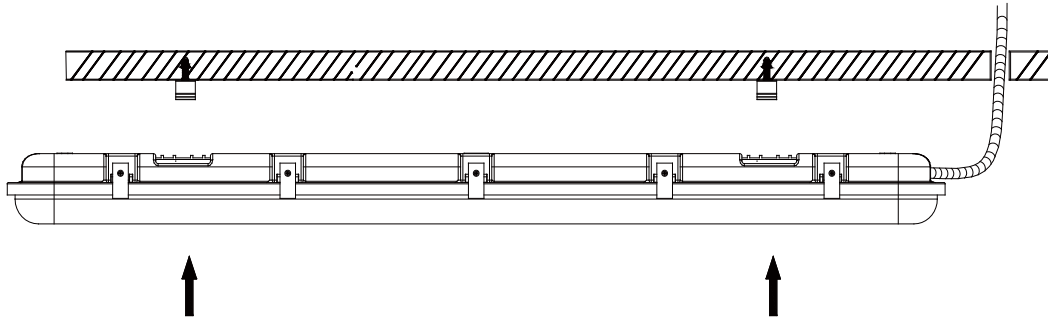
Step4



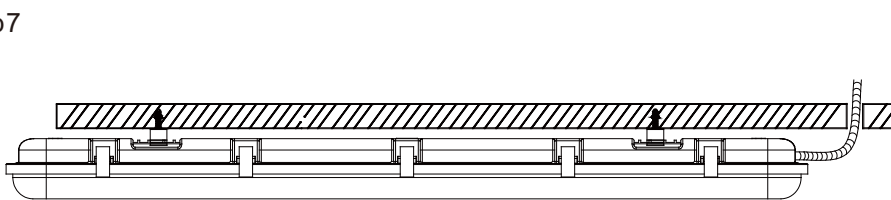
Step5



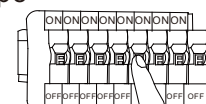
Step6



Step7

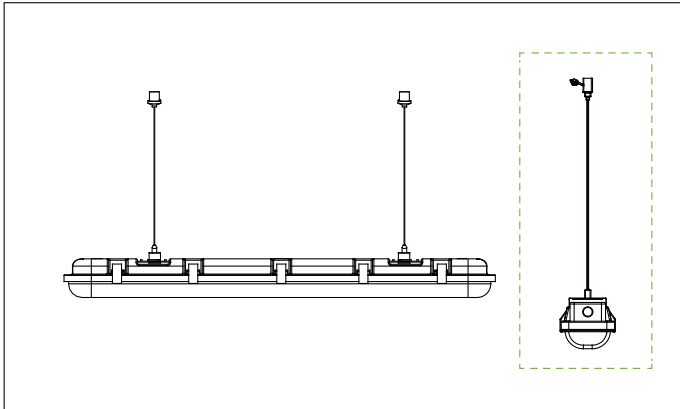


Step8

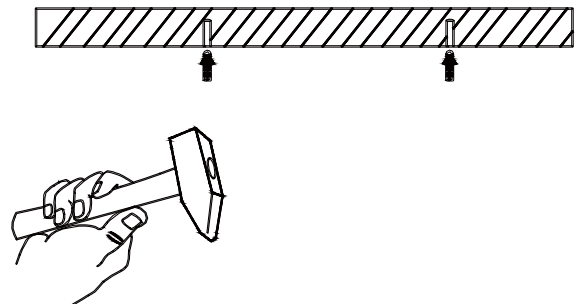


Turn on the switch

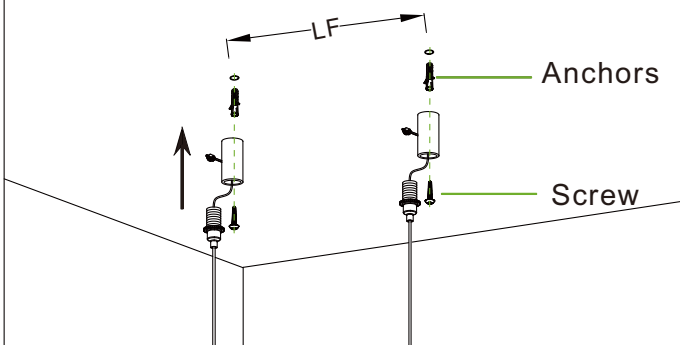
## B. Suspending installation



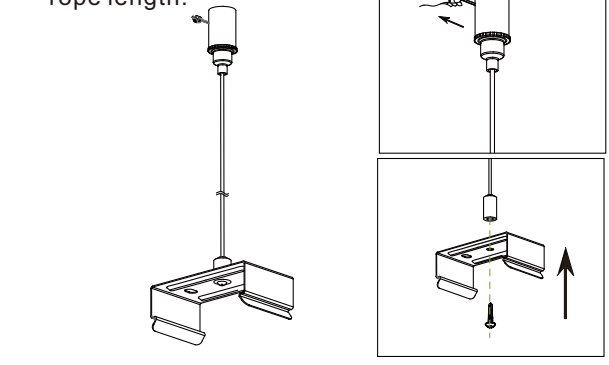
Step1. Punch a hole on the wall and put the expansion tube inside.



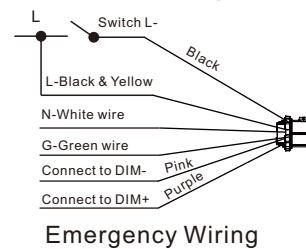
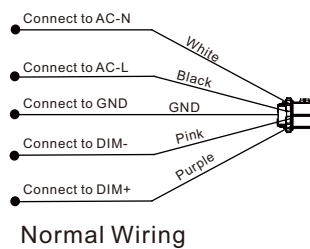
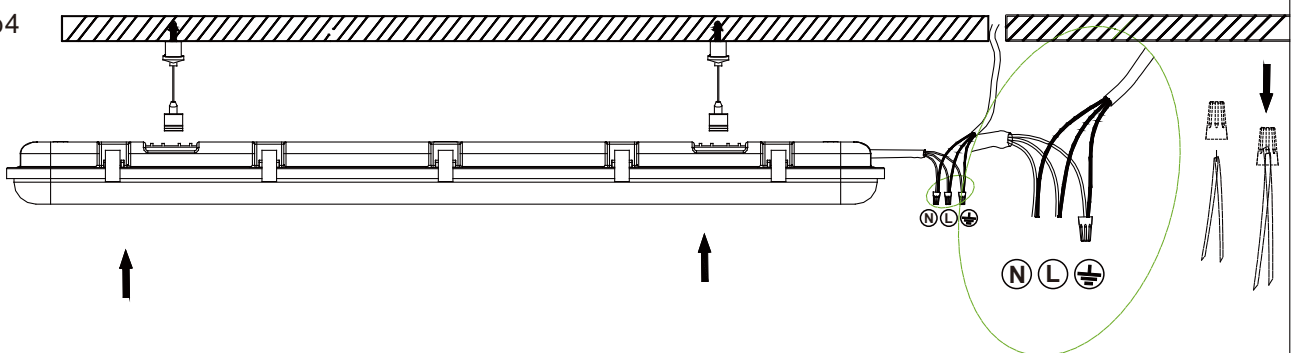
Step2. Fixing the hook and suspending the lamp.

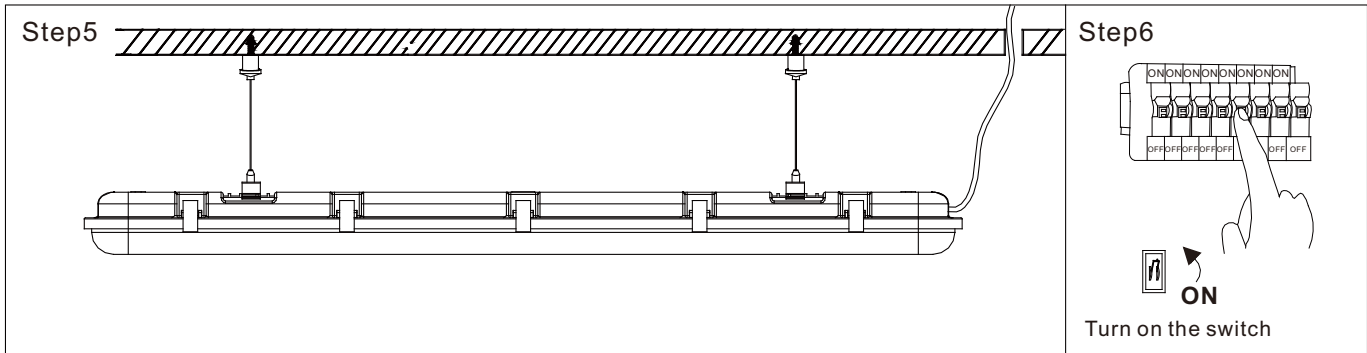


Step3. Adjusting the hanging rope length.



Step4






## Important


Read this instruction carefully before installation. Keep it for further reference. Make electrical and grounded connections in accordance with the national electrical code and any applicable code. Always turn off the power supply before installation. This product must be installed in accordance with the applicable installation code by a qualified electrician who is familiar with the construction and operation of the product and the hazards involved.

## WARNING


 Risk of fire or electric shock. Fixture installation requires knowledge of luminaires electrical systems.

If not qualified, DO NOT attempt installation. Contact a qualified electrician.

 Risk of fire or electric shock. Suitable for wet locations. Always turn off the power supply before installation.

 Risk of fire or electric shock. Suitable for non-insulated surface and frame. DO NOT cover fixture with insulation liner or similar material.

 DO NOT install fixture on unstable, loose or easily breakable surface.

 DO NOT exert force on the surface of the fixture.

## Note

1. The installation and maintenance must be completed by electricians or professionals.
2. Please cut off the power before installation and maintenance.
3. The thermally insulating material is not allowed to cover the fixture.
4. Please keep away from the corrosive substance, and keep the fixture dry and clean.
5. Working temperature:  $-4^{\circ}\text{F} \sim 113^{\circ}\text{F}$ , storage temperature:  $-22^{\circ}\text{F} \sim 140^{\circ}\text{F}$ .