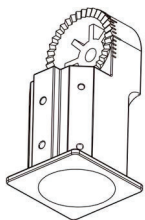
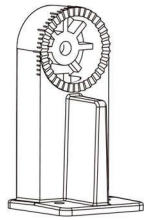


## Slim LED Area Light Wattage & CCT Tunable

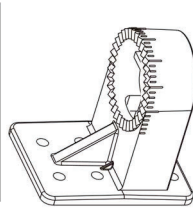
E2-SB-G6-150W-480V White / Built in Photocell  
 E2-SB-G6-150W-480V DB / Built in Photocell



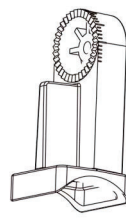
Slip Fitter Mount



Square Pole Mount



WALL Mount



Round Pole Mount

## Product Description:

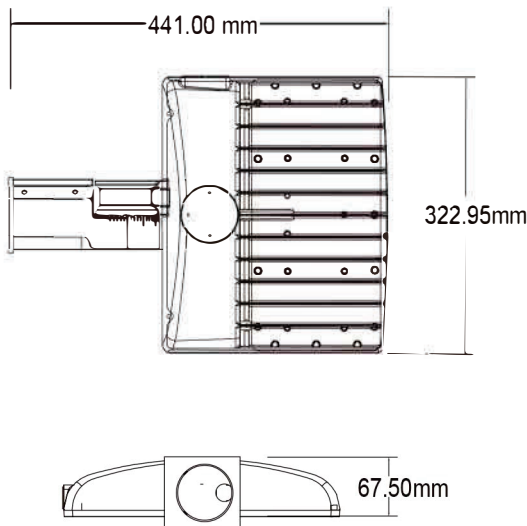
This is a classic area light. What sets it apart from other is the outstanding quality. Fashionable appearance design, professional structure design and the high quality raw materials make it excellent. It also has the advantages of low power consumption, low heat, high brightness, high waterproof and dust-proof grade.

## Features

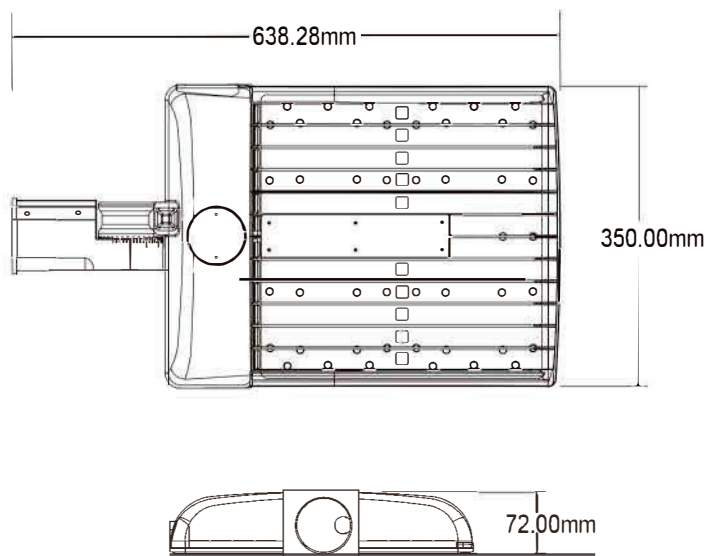
- Built In Photocell Sensor
- UL/cUL, DLC 5.1 Premium Listed
- ADC12 Die casting housing
- AC180-480V available
- Bracket Angle 180° Adjustable
- Different Mount Brackets compatible
- 5 year Warranty

## Dimensions

### Dimension 1: (150W)



### Dimension 2: (200W~300W)



## Specifications

Input Power		150W		
Lumen		19500LM		
LED Chip	SMD2835			
Input Voltage	AC 200-480V			
Lumen Efficacy	130LMW			
PF >0.9	CRI 70/80	THD <20%		
Housing Color	Bronze / White			
Operating Temperature -40°C to + 45°C (-40°F to +113°F)			Storage Temperature -20°C to +60°C	

## Functions



Power Select



Motion sensor

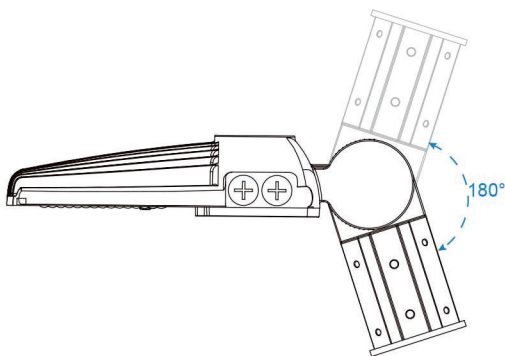


Photocell sensor

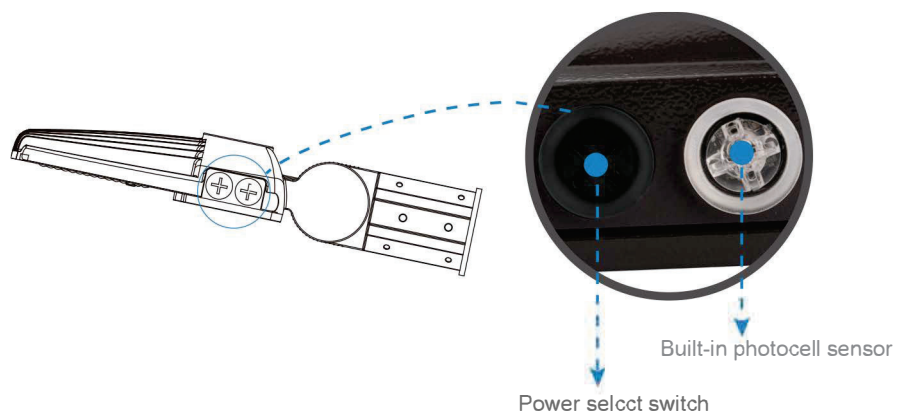


ADC12 Die casting

### Bracket Angle 180° Adjustable



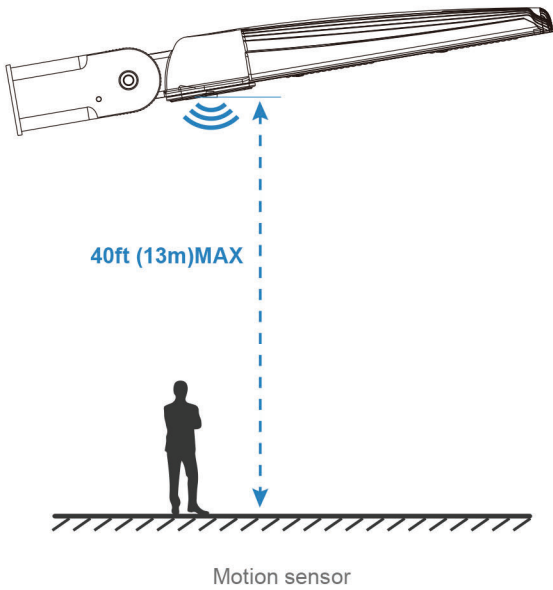
### Built-in Photocell Optional



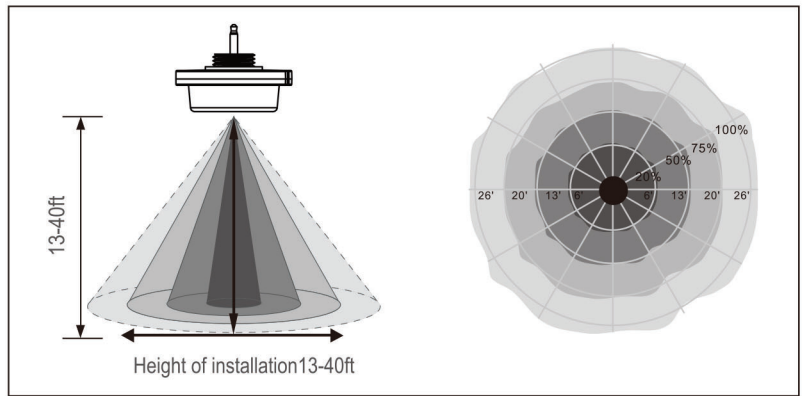
Photocell sensor

## Functions

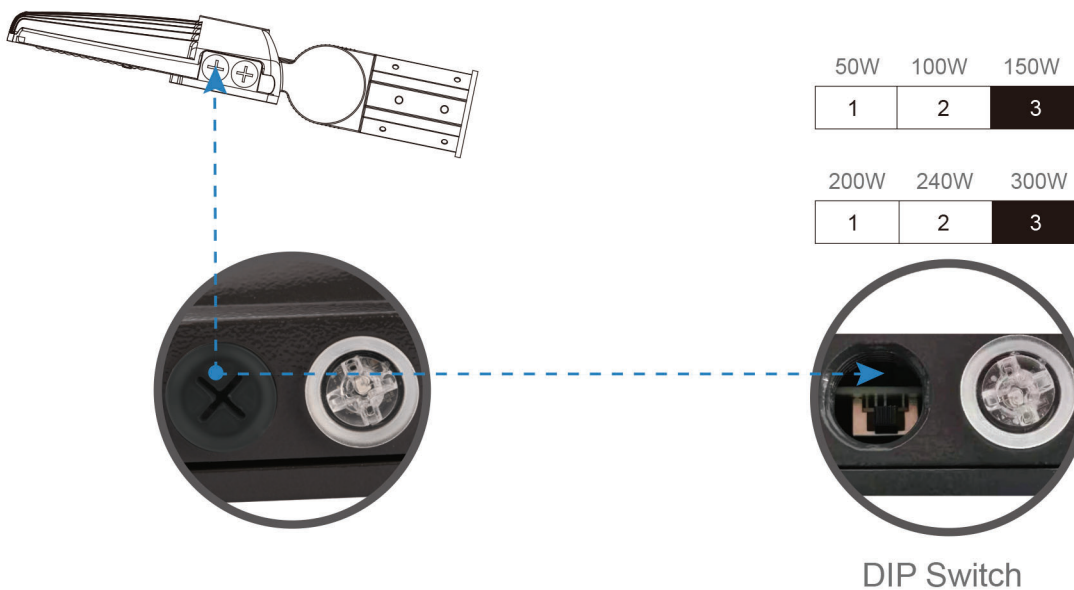
### Bi-level Microwave Sensor Optional



### SENSOR COVERAGE

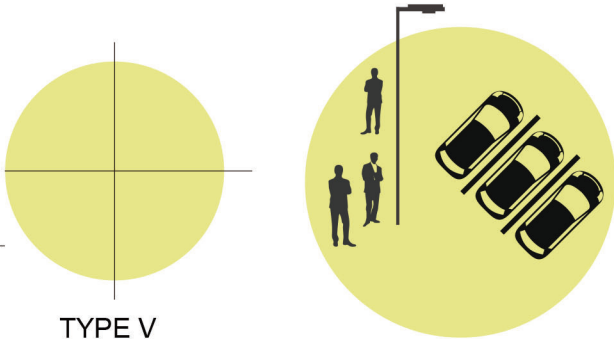
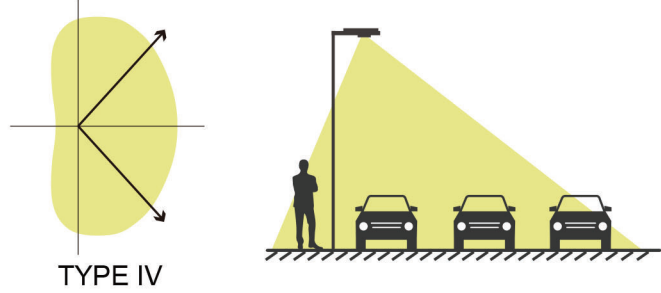
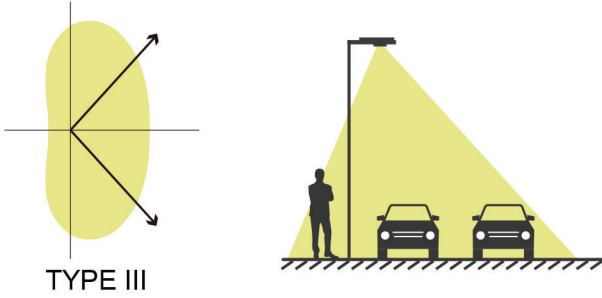


### DIP switch design, three wattages can be selected





## Options For Optic Lens Type III ,Type IV ,Type V and flood lens optional Lens Ordering Matrix



### Lens Distribution

T5

- T3 = Type III ( 90°X 140° )
- T4 = Type IV ( 100° X 140° )
- T5 = Type V ( 120° )
- 60 = \*Flood ( 60° )
- 30 = \*Flood ( 30° )

Flood Light Lens contain a Type V lighting distribution; typically used in applications with low mounting heights.

### Application



Shopping Centers



Auto Dealership



Sport Fields



Roadways