

Power Pack converter Outdoor Intelligent conversion module DC lighting controller

E2-PP02



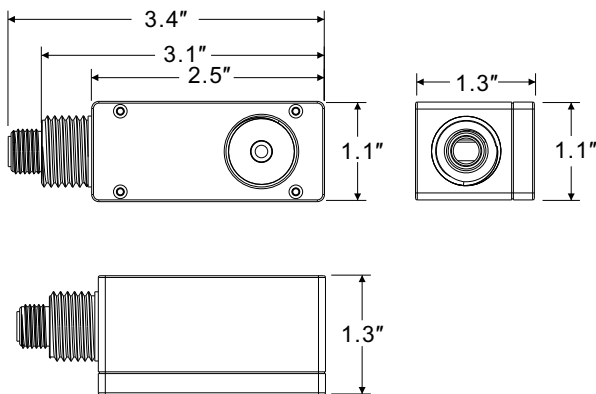
Product Description

Magnetic strip-microwave controller
 Wiring Bluetooth Mesh wireless ad hoc network.
 Adjustable sensitivity microwave sensor.
 Photosensitive sensor to maintain constant illumination.
 Bluetooth control single-channel dimming
 Built-in magnetic installation

Features

- Square intelligent conversion module;
- Wide voltage input ac100-347v 50 / 60Hz;
- With 12V Jack output port, 0-10V dimming power supply can be connected through jack wiring;

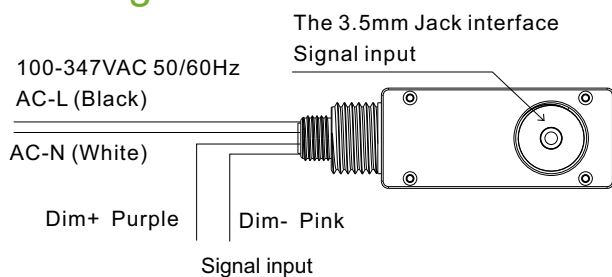
Dimension



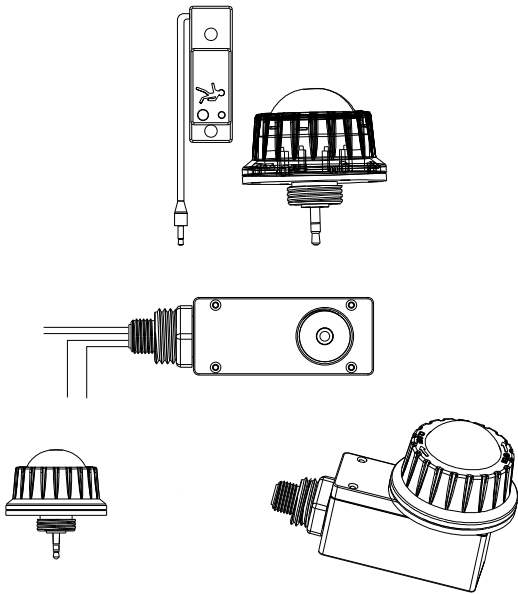
Specifications

| | |
|-----------------------|----------------------------|
| Part No. | E2-PP02 |
| Input voltage | AC100-347V 50/56Hz |
| Operating current | 100mA (max) |
| Operating temperature | -20°C~+45°C |
| Dimension | 86.5mm(L)×26mm(W)×34mm (H) |
| Weight | 92g |
| IP rating | IP 65 |

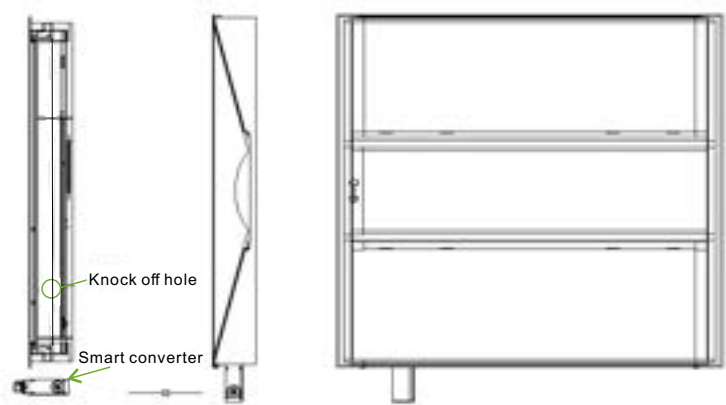
Wiring



Wiring circuit diagram



Wiring diagram



1. First, open one of the knock down holes at the power AC wiring position of the panel lamp or the torffer.
2. Install the smart converter into the knock down hole and fix it with nuts.
3. Connect the corresponding wires as shown in the document wiring diagram.
4. Install the Bluetooth module required in the place of use into the converted jack interface.
5. Please disconnect all electrical connections.

Application



Wallpack



LED Panel



UFO High Bay



Liner High Bay

Installation Precautions

1. Before installing the Bluetooth module, first turn off the circuit breaker switch at the power supply.
2. Do not enable the installation of large-scale metal blocking positive lamps and places.

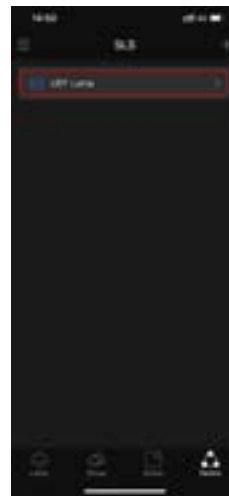
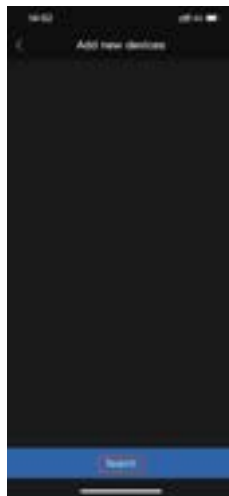
Precautions

1. We reserve the necessary text and image technical parameters correction rights.
2. Without license or authorization, it is not allowed to disassemble and other people as damage, otherwise the contractual provisions guaranteed immediate failure.
3. the product should not be installed in a place where the air is suddenly changed, such as air conditioning air outlet, wind direction rotation, etc.

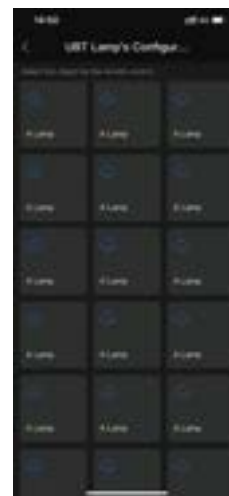
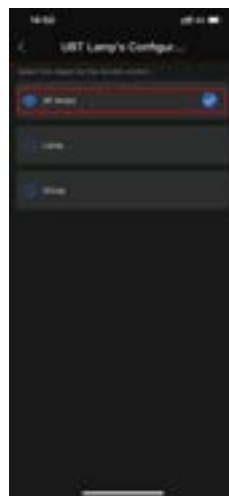
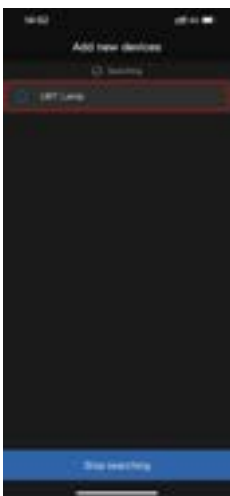
APP "SL solutions"



Add sensor



- 1-Click accessories
- 2-Click add device
- 3-Click search
- 4- Click to stop searching after searching out the device
- 5- After stopping the search, select the device that needs to be added



- 6- Click on the added device to enter the configuration page
- 7-Enter the binding device page
- 8-Select the device to be bound, which can support binding group, all devices, or single light
- 9-Bind a single device page,
- 10-Bind group page