

## LED EMERGENCY LIGHT M8



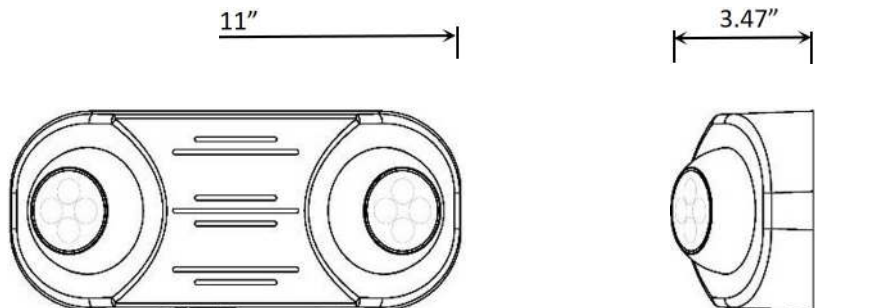
## Product Description

Injection-molded thermoplastic ABS housing.  
Plastic enclosure with 5VA flame retardant.  
Slim and deco shape and easy installation.  
Two fully adjustable light heads for emergency light.

## Feature

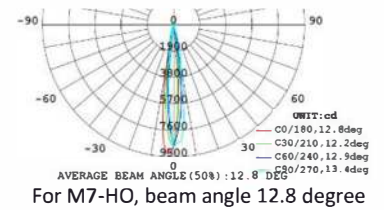
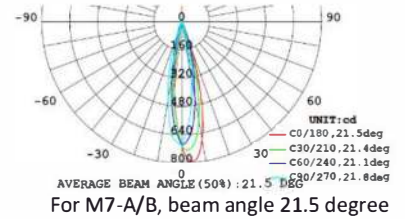
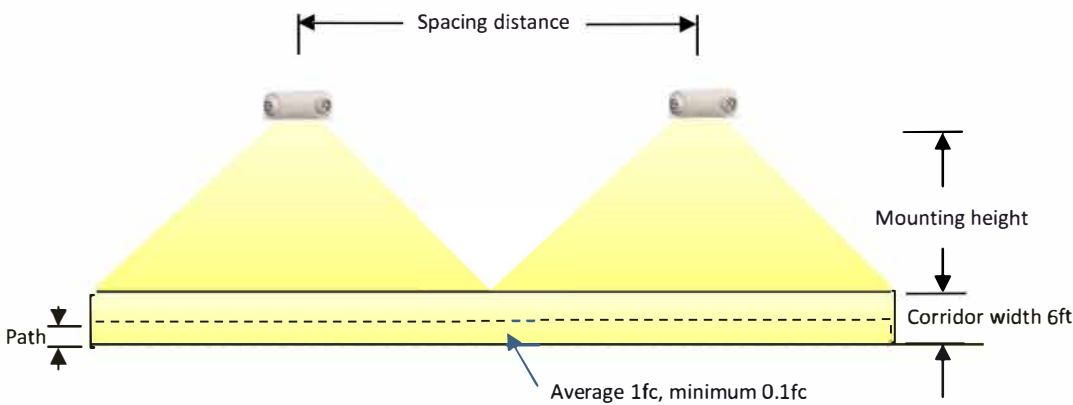
1. AC120-277V universal input
2. Low / Medium / high lumens output option 5000K CCT
3. Lithium iron Phosphate battery
4. 24 hours recharge and 90mins discharge
5. Suitable for Wall mount & top enter conduit Mount and Ceiling Mount
6. Test Switch and Charge indicator
7. CT option with self-testing and diagnostics
8. RC option with remote capability
9. Suitable for 5°C-50°C temperature and damp location.
10. UL and cUL list, CEC title 20
11. NFPA70, NFPA101 life safety code for USA & Canada

## Physical Dimensions



## Mounting Spacing Distance

NFPA 101 requires 1.0 foot-candle average and 0.1 foot-candle minimum with a 40:1 max/min ratio. The corridor used is 100 feet long, 10 feet ceiling with a 6 feet wide walkway and 6&3 feet path of egress for calculation. The reflectance are 80% ceiling, 50% walls and 20% floors. The fixture mounting height is 7.5 feet /10ft.



Model No.	Spacing distance			
	7.5ft height 6ft width corridor 3ft width path	7.5ft height 6ft width corridor 6ft width path	10ft height 6ft width corridor 3ft width path	10ft height 6ft width corridor 6ft width path
M8-A (250lm)	38ft	32ft	32ft	30ft
M8-B (700lm)	75ft	70ft	70ft	60ft
M8-HO (1590lm)	125ft	115ft	115ft	100ft

## Model List and Parameters

N o.	Model	Test Facility	Battery	Recharge Time	Emergency Run time	Input Rating				Output Rating		
						Vac	Hz	mA	w	Lamp Head	Lumen Output	Remote Capability
1	E2-EX-M8-250	Manual test	LiFePO <sub>4</sub> 6.4V4000mAH	24 hours	90 minutes	120-277	50/60	25	1.5	1.0W*2	250 lm	N/A
2	E2-EX-M8-700	Manual test	LiFePO <sub>4</sub> 6.4V4000mAH	24 hours	90 minutes	120-277	50/60	70	5	2.7W*2	700 lm	N/A
3	E2-EX-M8-RC	Manual test	LiFePO <sub>4</sub> 6.4V4000mAH	24 hours	90 minutes	120-277	50/60	70	5	2.7W*2	700 lm	6V 4.5W Max.
4	E2-EX-M8-1590	Manual test	LiFePO <sub>4</sub> 6.4V4000mAH	24 hours	90 minutes	120-277	50/60	70	5	5.4W*2	1590 lm	N/A
5	E2-EX-M8 -A-CT	Self-test Self-diagnostics	LiFePO <sub>4</sub> 3.2V1500mAH	24 hours	90 minutes	120-277	50/60	25	1.5	1.0W*2	250 lm	N/A
6	E2-EX-M8-B-CT	Self-test Self-diagnostics	LiFePO <sub>4</sub> 6.4V2000mAH	24 hours	90 minutes	120-277	50/60	70	5	2.7W*2	700 lm	N/A
7	E2-EX-M8--B-RC-CT	Self-test Self-diagnostics	LiFePO <sub>4</sub> 6.4V4000mAH	24 hours	90 minutes	120-277	50/60	70	5	2.7W*2	700 lm	6V 4.5W Max.
8	E2-EX-M8--HO-CT	Self-test Self-diagnostics	LiFePO <sub>4</sub> 6.4V4000mAH	24 hours	90 minutes	120-277	50/60	70	5	5.4W*2	1590 lm	N/A