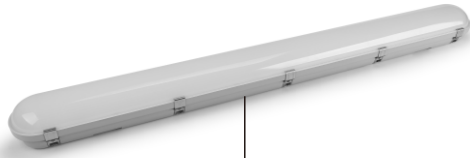


## Watts&CCT Tunable Vapor Tight LED

Date:..... Location: .....

Product:..... Project:.....

Quantity:..... Catalog# .....



3Watts & 3CCT tunable

### FEATURES

- 3Watts 3CCT, same design with the old vapor lights
- Meet all color demands, Easy install.
- Moisture, Corrosion and rust proof
- 50,000 hours life time, DLC PREMIUM

### SUITABLE APPLICATIONS

- Airport, Train station, Subway, Parking lot
- Factory, Workshops, Production line, Warehouse
- Tunnel, Basement, Storage, Roads etc



### CONSTRUCTION:

Extruded opal prismatic material with UV protection  
End Caps: white PC material

### ELECTRICAL:

Available as 100-277V input. -22°F to 104°F.

### OPTICAL SYSTEM:

High brightness lumileds LED chips. High quality temp pc optics. 110° beam angle.

### INSTALLATION & MOUNTING:

Ceiling Mounting with quick mount plate for easy installation.

### WARRANTY:

5-year limited warranty. Actual performance may differ as a result of end-user environment and application.

### PERFORMANCE

Model NO	SIZE	Wattage	Voltage	Light Efficiency	Kelvin Options
E2-VT-FOR-4FT-40/50/60W-30/40/50K	4FT	40/50/60W	100-277V	135LM/W	3000K/4000K/5000K
E2-VT-FOR-8FT-60/80/100W-30/40/50K	8FT	60/80/100W	100-277V	135LM/W	3000K/4000K/5000K

### Electric Characteristic


Model NO	Certificate	Input power	Lumens output	Efficiency	CRI	Color Temperature	lamps efficiency	Equivalent
E2-VT-FOR-4FT-40/50/60W-30/40/50K	ETL DLC	40/50/60W	5400/6750/8100LM	135LM/W	>80	3000-5000K	≥90%	110-200WMH/HPS

Electric Characteristic

Model NO	Certificate	Input power	Lumens output	Efficiency	CRI	Color Temperature	lamps efficiency	Equivalent
E2-VT-FOR-8FT -60/80/100W-30/40/50K	ETL DLC	60/80/100W	8100/10800/13500LM	135LM/W	>80	3000-5000K	≥90%	110-300WMH/HPS


### OPTIONAL ACCESSORIES

---



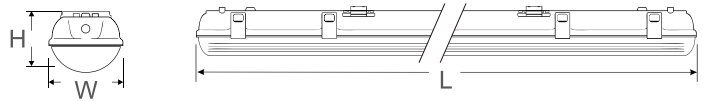
Emergency Battery Backup  
Model no: 8W300V

---



Fast Connection linkable up to 6pc

➤ Electric Characteristic

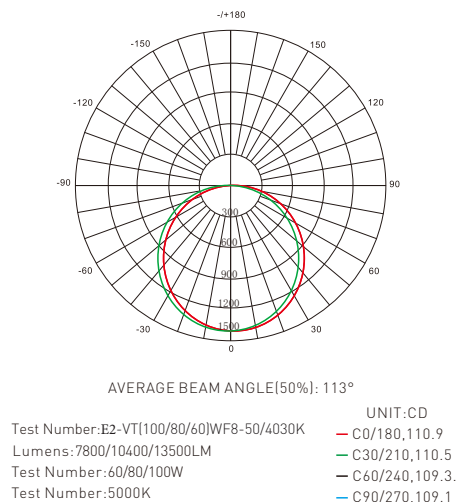
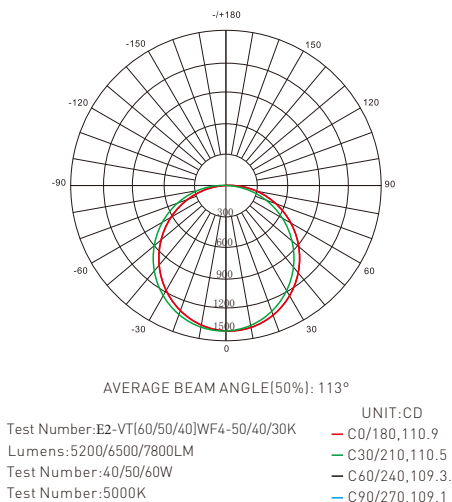


Model No	Size	L	W	H
E2-VT-FOR-4FT	4FT	47.2"	4.33"	3.46"
E2-VT-FOR-8FT	8FT	94.5"	4.33"	3.46"

➤ WARNING

1. The installation and maintenance must be completed by electricians or professionals
2. Please cut off the power before installation and maintenance
3. The thermal insulating material is not allowed to cover the fixture.
4. Please keep away from the corrosive substance, and keep the fixture dry and clean.
5. Working temperature: -4°F~104°F, storage temperature: -22°F~140°F.

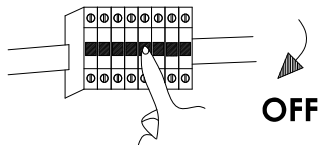
➤ DISTRIBUTION DIAGRAM



## Installation Manual

step1

Turn off the switch

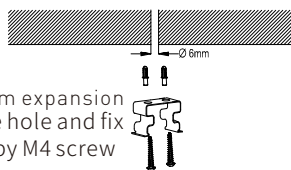


step2

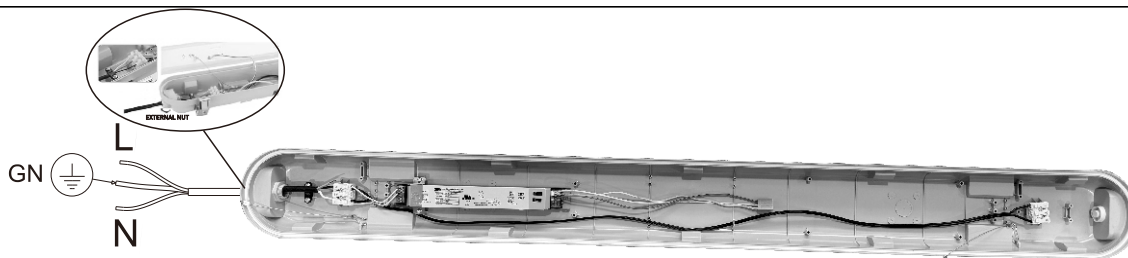
① Drill  $\phi$  6mm holes on the roof/wall



② Insert  $\phi$  6mm expansion pipe into the hole and fix the bracket by M4 screw



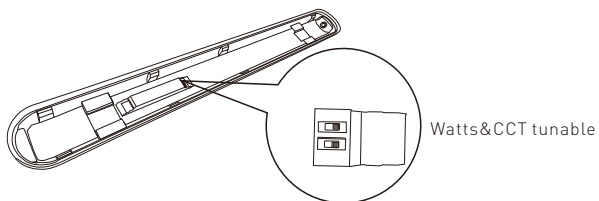
step3



Feed supply wire(not included) through fitting. Make wire connections select suitable power and tighten external nut on water-tight fitting.

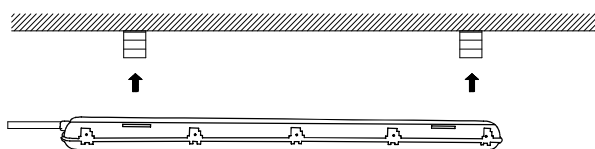
step4

Watts & CCT options Switchable as required before installation.

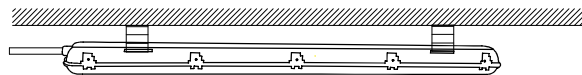


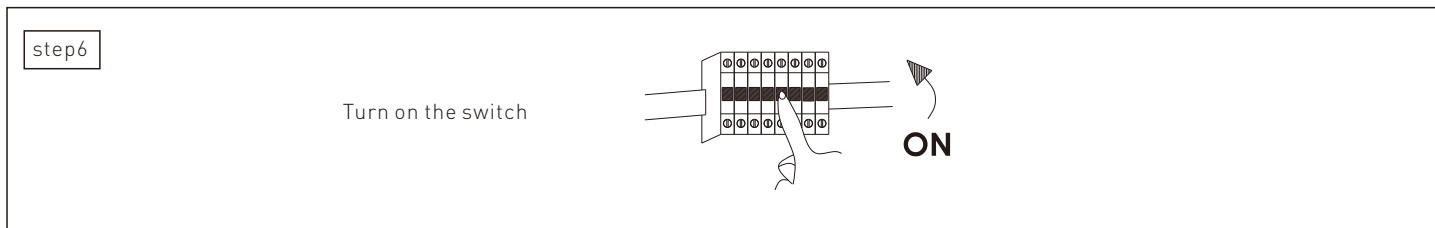
step5

① Ceiling Installation



② The final appearance





**Caution:** Please note that DO NOT use this product in the following places/applications:

- 1.The place has a large quantity of smoke, such as:kitchen and Food processing factory etc
- 2.The place has a large quantity of chemical corrosive substance,such as:chemical and stockyards etc.
- 3.The place has poor temperature conditions,large-scale temperature variation,which would easily lead to broken and damage the product,the applicable operating temperature is between -15 and 45 degrees